

DEUBLIN

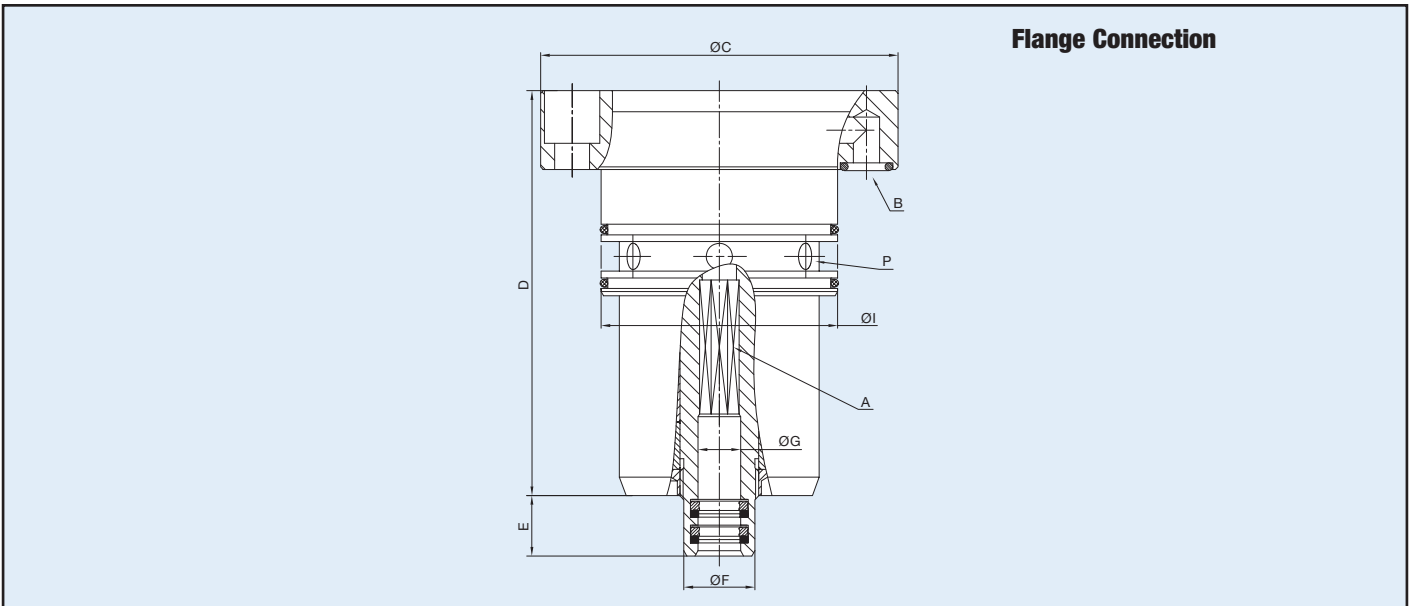
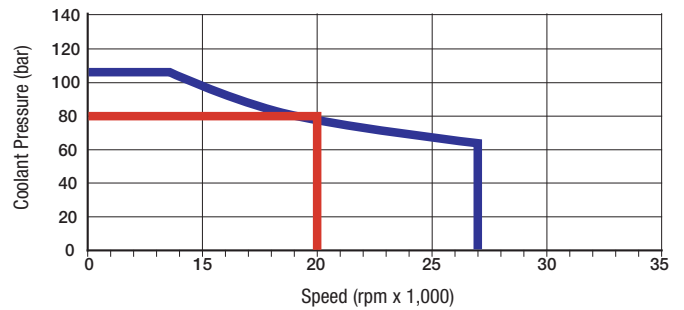
Rotating Unions Flange Design Bore-Mounted for Various Media

- Single passage available with all sealing technologies
- Accepts up to 19 mm of drawbar movement
- Full-flow design has no obstructions to trap swarf or debris
- Labyrinth system and large vents to protect ball bearings
- Balanced mechanical seals made from silicon carbide for long life even under difficult operating conditions
- Anodised end cap and stainless steel housing and rotor resist corrosion
- Dry run capability depending on sealing technology and materials possible



Operating Data

Sealing Technology (depending on model)	AutoSense™, Closed Seal, Pop-Off™	
Media (depending on model)	Coolant – water based; Cutting Oil Compressed Air up to 10 bar, up to 145 psi MQL (oil mist) up to 10 bar, up to 145 psi	
Max. Speed	27.000 min ⁻¹	27,000 rpm



Flange Connection

Ordering Number	Sealing Technology	B Supply Connection	C Overall Diameter	D Overall Length	P Drain Size Ø	A Rotor Connection	E Rotor Length	F Rotor OD	G Bore Diameter	I Pilot Diameter	Max. Speed (rpm)	Max. Pressure (bar)
1108-310-304	Closed Seal	Ø5 Flange	84	84	4x Ø5	Hexagon 11	34	24	14.1H7	49 f7	20,000	80
1114-935-793	AutoSense™	Ø5 Flange	68	77	6x Ø5	Octagon 7.4 D10	11.5	13.5	8.1F9	45 h7	27,000	105

【信德迈科技(北京)有限公司是美国Deublin杜博林旋转接头正式授权十年北方地区最大代理商】

产品选型资料及更详细产品介绍请点击：<http://www.cnmec.net>