

DEUBLIN

1121 Series Bearingless Pop-Off™ “Micro Stroke” Rotating Unions for Coolant Service

- Single passage for coolant or MQL
- Pop-Off™ technology allows unlimited dry running without media pressure
- Ultra-short 0.1 mm pop-off stroke restricts drainage of residual coolant during tool change
- Full-flow design has no obstructions to trap swarf or debris
- Balanced mechanical seals made from silicon carbide for long life even under difficult operating conditions
- Anodised aluminum housing resists corrosion

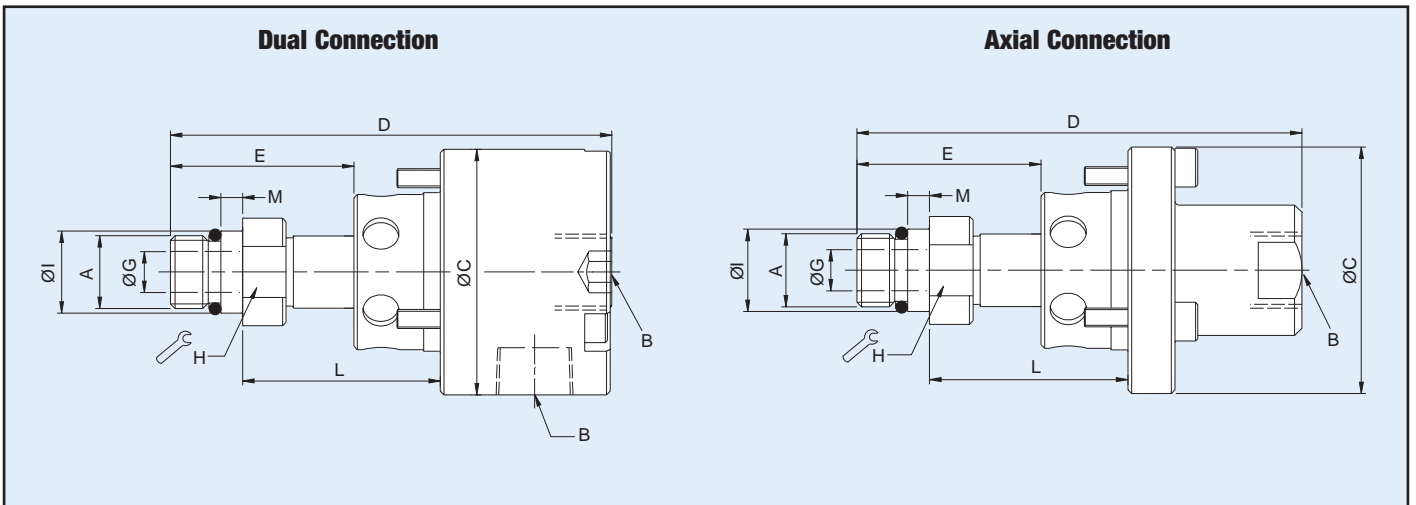
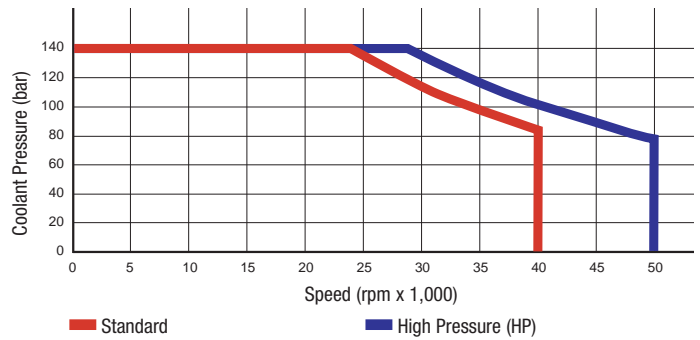


Operating Data

Media	Water-based Coolant MQL (oil mist) up to 10 bar (145 psi)		
Filtration	ISO 4406 Class 17/15/12, max. 60 micron		
Max. Speed	40,000 min ⁻¹	40,000 rpm	Standard
	50,000 min ⁻¹	50,000 rpm	High Pressure (HP)
Max. Pressure	140 bar	2,031 psi	
Max. Flow	24,3 l/min	6.4 gpm	
	1121-330-327	38,7 l/min	10.2 gpm
	1121-330-345	82 l/min	21.6 gpm
Max. Temperature	71 °C	160 °F	



NO COMPRESSED AIR WITH ROTATION



Connection	Ordering Number	B Supply Connection	C Overall Diameter	D Overall Length	L Mounting Distance	A Rotor Connection	E Rotor Length	G Bore Diameter	H Across Flats	I Pilot Diameter	M Pilot Length	Max. Speed (rpm)	
													Connection
Standard	Radial	1121-300-327	3/8 PT	54	94	39.6 / 38.6	M12 x 1.25 LH	37	6	18	14.000 / 13.995	5	40,000
		1121-300-345	3/8 PT	54	97	44.0 / 43.0	M16 x 1.5 LH	40	9	21	17.993 / 17.988	5	40,000
		1121-330-327	3/8 PT	54	94	39.6 / 38.6	M12 x 1.25 LH	37	6	18	14.000 / 13.995	5	40,000
		1121-330-345	3/8 PT	54	97	44.0 / 43.0	M16 x 1.5 LH	40	9	21	17.993 / 17.988	5	40,000
	Dual	1121-380-327	G 3/8 Radial 1/4 PT Axial	54	98	39.6 / 38.6	M12 x 1.25 LH	37	6	18	14.000 / 13.995	5	40,000
		1121-380-345	G 3/8 Radial 1/4 PT Axial	54	102	44.0 / 43.0	M16 x 1.5 LH	40	9	21	17.993 / 17.988	5	40,000
	Axial	1121-400-327	3/8 PT	54	94	39.6 / 38.6	M12 x 1.25 LH	37	6	18	14.000 / 13.995	5	40,000
		1121-400-345	3/8 PT	54	98	44.0 / 43.0	M16 x 1.5 LH	40	9	21	17.993 / 17.988	5	40,000
HP	1121-410-493	3/8 PT	54	105	39.6 / 38.6	M12 x 1.25 LH	40	5	18	14.000 / 13.995	5	50,000	
	1121-430-431	3/8 PT	54	108	44.0 / 43.0	M16 x 1.5 LH	43	5	21	17.993 / 17.988	5	50,000	

【信德迈科技(北京)有限公司是美国Deublin杜博林旋转接头正式授权十年北方地区最大代理商】

产品选型资料及更详细产品介绍请点击：<http://www.cnmec.net>