



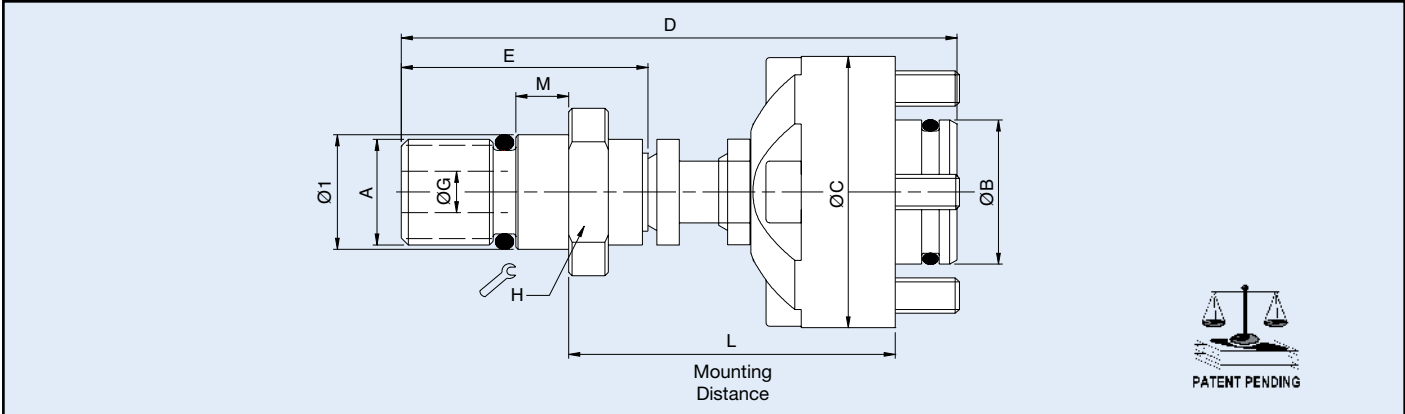
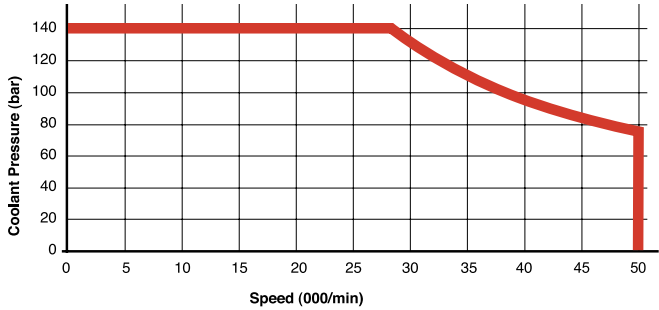
DEUBLIN

1154 Series Bearingless AutoSense™ “Long Stroke” Rotating Unions for Coolant and Air Service with Dry Running

- Single passage for coolant or MQL
- Patent-pending AutoSense™ technology automatically changes between closed seals and controlled leakage operation in response to the kind of media
- Non-rotating element has a “stroke” (axial movement) of more than 8 mm, to track drawbar movement even when union is mounted on the clamping device
- Full-flow design has no obstructions to trap chips or debris
- Balanced mechanical seals made from silicon carbide for long life even under difficult operating conditions
- Anodized aluminum housing resists corrosion

Operating Data

Media	Water-based Coolant MQL (oil mist) up to 10 bar (145 psi) Air up to 10 bar (145 psi)
Filtration	ISO 4406 Class 17/15/12, max. 60 micron
Maximum Speed	40,000 min ⁻¹ 40,000 rpm
Maximum Pressure	140 bar 2,030 psi
Maximum Flow	24.3 l/min 6.4 gpm
Maximum Temperature	71°C 160°F



	Ordering Number	B Supply Connection	C Overall Diameter	D Overall Length	L Mounting Distance	A Rotor Connection	E Rotor Length	G Bore Diameter	H Across Flats	I Pilot Diameter	M Pilot Length	Max Speed (rpm)
Axial	1154-002-105	16.4 mm Counterbore	31	72	49.0 / 42.0	M8 x 1 RH	37	4	15	8.995 / 8.991	3.5	40,000
	1154-002-109	16.4 mm Counterbore	31	63	37.0 / 30.0	M12 x 1 RH	28	5	15	12.994 / 12.989	6	40,000
	1154-002-133	16.4 mm Counterbore	31	65	37.0 / 30.0	M16 x 1.5 LH	30	4	19	17.994 / 17.989	6	40,000
	1154-002-140	16.4 mm Counterbore	31	63	37.0 / 30.0	M12 x 1.25 LH	28	5	15	12.994 / 12.989	6	40,000
	1154-003-107	20 mm Counterbore	39	71	40.0 / 33.0	M12 x 1.25 LH	36	5	15	12.994 / 12.989	6	40,000
	1154-003-137	20 mm Counterbore	38.5	62	31.0 / 25.0	M12 x 1.25 LH	27	5	15	12.994 / 12.989	6	40,000
	1154-004-109	30 mm Counterbore	48.5	69	40.5 / 33.5	M12 x 1 RH	28	5	15	12.994 / 12.989	6	40,000
	1154-005-109	16.4 mm Counterbore	31	87	49.0 / 42.0	M12 x 1 RH	28	5	15	12.994 / 12.989	6	40,000
	1154-012-109*	16.4 mm Counterbore	31	63	37.0 / 30.0	M12 x 1 RH	28	5	15	12.994 / 12.989	6	40,000
	1154-012-133*	16.4 mm Counterbore	31	65	37.0 / 30.0	M16 x 1.5 RH	30	5	19	17.994 / 17.989	6	40,000

* 1154-012-xxx include a spring to fully retract the non-rotating element when pressure is discontinued.

Note: Overall Length (D) is at maximum Mounting Distance (L).