

DEUBLIN

1108 Series "Closed Seal" Rotating Unions for Continuous Coolant Service

- Single passage for coolant or MQL
- Closed seals for transfer line and similar applications
- Full-flow design has no obstructions to trap chips or debris
- Bearing-supported with threaded rotor for easy installation
- Dual ABEC 7 (ISO class P4) angular contact ball bearings
- Labyrinth system and large vents to protect ball bearings
- Balanced mechanical seals made from silicon carbide for long life even under difficult operating conditions
- Anodized aluminum housing resists corrosion

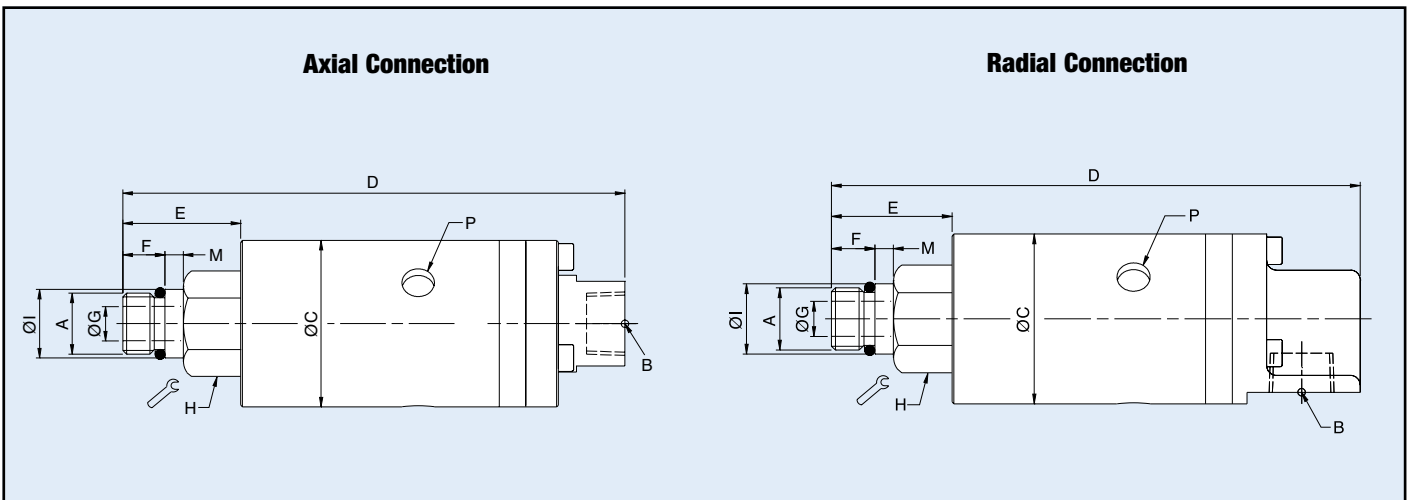
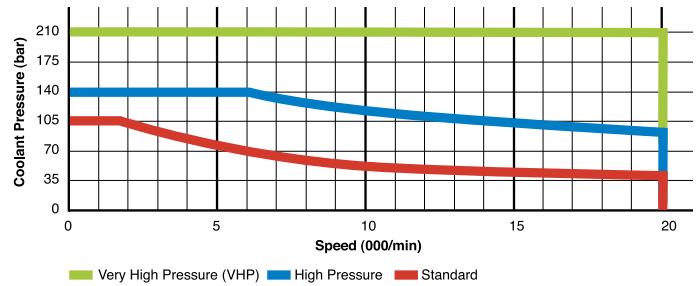


Operating Data

| | | | |
|---------------------|--|----------|--------------------------|
| Media | Water-based Coolant MQL (oil mist) up to 10 bar (145 psi) | | |
| Filtration | ISO 4406 Class 17/15/12, max. 60 micron | | |
| Maximum Speed | 20,000 min ⁻¹ 20,000 rpm | | |
| Maximum Pressure | See chart | | |
| Maximum Flow | 82 l/min | 21.6 gpm | Standard |
| | 24.3 l/min | 6.4 gpm | High Pressure |
| | 2.7 l/min | 0.7 gpm | Very High Pressure (VHP) |
| Maximum Temperature | 71°C | 160°F | |



DO NOT RUN DRY



| | Ordering Number | B Supply Connection | C Overall Diameter | D Overall Length | P Vent Size (3 x 120°) | A Rotor Connection | E Rotor Length | F Thread Length | G Bore Diameter | H Across Flats | I Pilot Diameter | M Pilot Length |
|--|-----------------|---------------------|--------------------|------------------|------------------------|--------------------|----------------|-----------------|-----------------|----------------|-------------------|----------------|
| | 1108-002-102 | 3/8" NPT Axial | 44 | 132 | 9 | 5/8"-18 UNF LH | 34 | 14 | 9 | 15/16" | 0.6555" / 0.6553" | 5 |
| | 1108-002-153 | 3/8" NPT Axial | 44 | 132 | 9 | M16 x 1.5 LH | 31 | 11 | 9 | 24 | 17.993 / 17.988 | 5 |
| | 1108-001-102 | 3/8" NPT Radial | 44 | 138 | 9 | 5/8"-18 UNF LH | 34 | 14 | 9 | 15/16" | 0.6555" / 0.6553" | 5 |
| | 1108-011-153 | G 3/8" Radial | 44 | 135 | 9 | M16 x 1.5 LH | 30 | 11 | 9 | 24 | 17.993 / 17.988 | 5 |
| | 1108-034-212 | G 1/4" Axial | 53 | 129 | G 1/4" | M16 x 1.5 LH | 30 | 11 | 9 | 24 | 17.993 / 17.988 | 5 |
| | 1108-058-212 | G 1/4" Radial | 53 | 135 | G 1/4" | M16 x 1.5 LH | 30 | 11 | 9 | 24 | 17.993 / 17.988 | 5 |
| | 1108-093-559 | 1/4" NPT Axial | 44 | 132 | 9 | M16 x 1.5 LH | 30 | 11 | 9 | 24 | 17.993 / 17.988 | 5 |



DEUBLIN

1108 Series "Closed Seal" Bore-Mounted Rotating Unions for Coolant Service

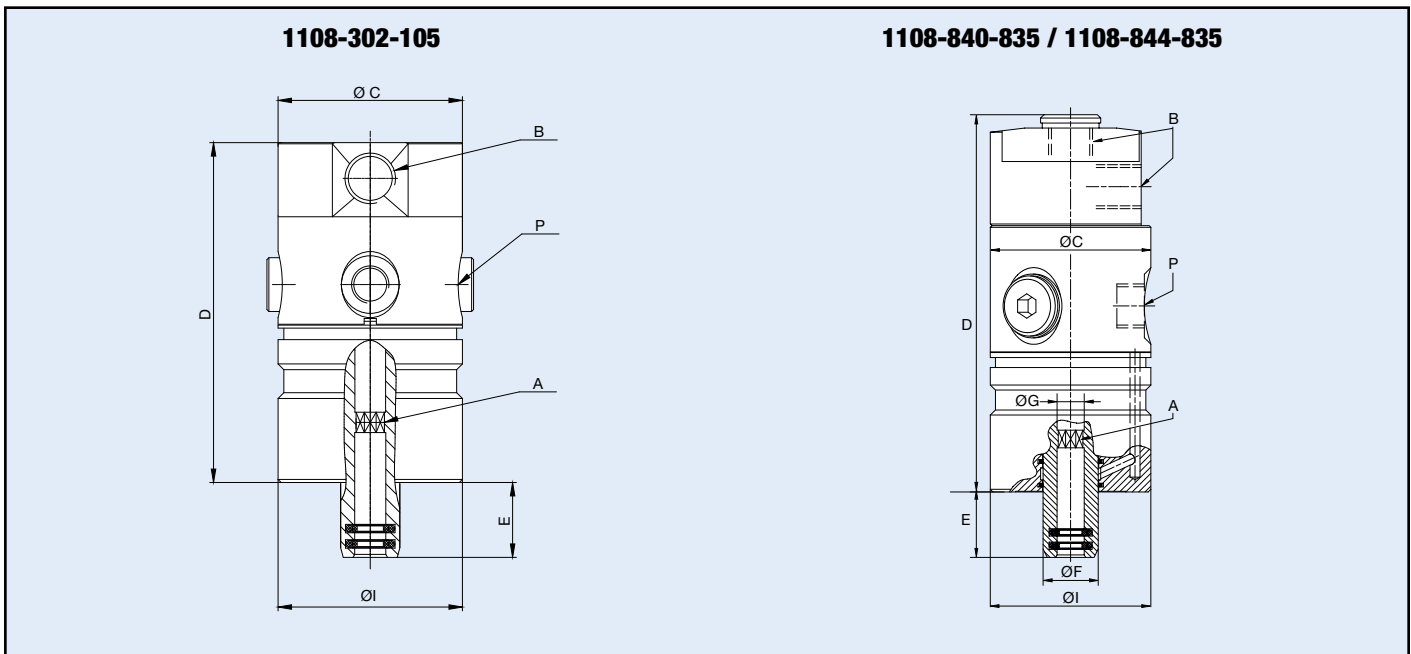
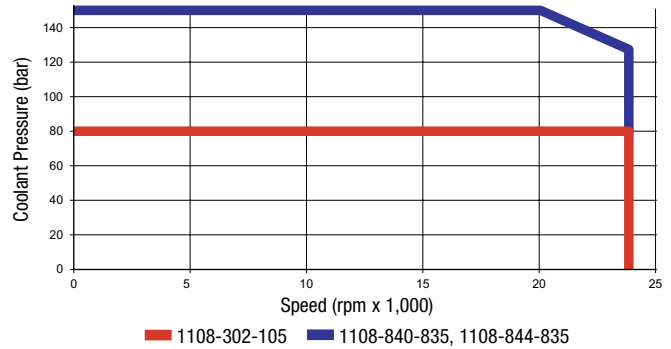
- Single passage for coolant or MQL
- Closed seals
- Accepts up to 19 mm of draw bar movement
- Full-flow design has no obstructions to trap swarf or debris
- Labyrinth system and large vents to protect ball bearing
- Dry run cycles possible depending on model
- Balanced mechanical seals made from silicon carbide for long life even under difficult operating conditions
- Stainless steel housing and rotor
- Anodised aluminum end cap

Operating Data

| | | |
|------------------|--|-----------|
| Media | Water-based Coolant MQL (oil mist) up to 10 bar (145 psi) | |
| Filtration | ISO 4406 Class 17/15/12, max. 60 micron | |
| Max. Speed | see graph/table | |
| Max. Pressure | 150 bar | 2,176 psi |
| Max. Flow | 24,3l/min | 6.4 gpm |
| Max. Temperature | 71 °C | 160 °F |



DEFINED DRY RUN



| Ordering Number | B Supply Connection | C Overall Diameter | D Housing Length | P Vent Size Ø (3 x 120°) | A Rotor Connection | E Rotor Length | F Rotor Overall Diameter | G Bore Diameter | I Pilot Diameter | Maximum Speed (rpm) | Max. Pressure (bar) |
|-----------------|-----------------------|--------------------|------------------|--------------------------|--------------------|----------------|--------------------------|-----------------|------------------|---------------------|---------------------|
| 1108-302-105 | G 1/4" Radial | 48 | 88.5 | G 1/8 (4x90°) | Octagon 7.4 D10 | 19.5 | 15.4 | 8.1 F9 | 48 h7 | 24,000 | 80 |
| 1108-840-835 | G 1/4" Axial & Radial | 48 | 112 | G 1/4 (3x120°) | Octagon 7.4 D10 | 19.5 | 15.9 | 8.1 F9 | 48 g6 | 24,000 | 150 |
| 1108-844-835 | G 1/4" Axial & Radial | 48 | 112 | 4 mm (12x30°) | Octagon 7.4 D10 | 19.5 | 15.9 | 8.1 F9 | 44 g6 | 24,000 | 150 |