

DEUBLIN

1005/1101/1116 Series Rotating Unions for Multi-Media-Application

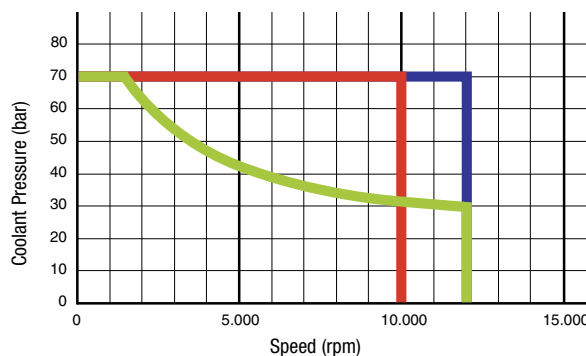
- Single passage for clamping, unclamping, lubricating, cooling and sensing applications
- Special design closed seals for multi-media-applications and dry run cycles
- All-purpose design; one model for various applications
- Full-flow design has no obstructions to trap swarf or debris
- Rotor-mounted design for easy installation
- Deep groove radial ball bearings for smooth operation
- Labyrinth system and large vents to protect ball bearings
- Anodised aluminium housing resists corrosion



Operating Data

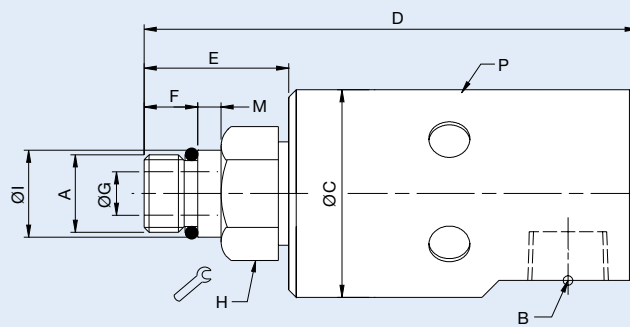
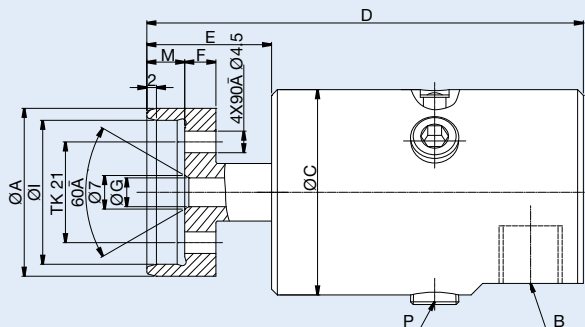
| | | |
|------------------|---|------------|
| Filtration | ISO 4406 Class 17/15/12, max. 60 micron | |
| Max. Speed* | 10,000 min ⁻¹ | 10,000 rpm |
| Max. Pressure | | |
| Hydraulic | 70 bar | 1,015 psi |
| Coolant | 70 bar | 1,015 psi |
| Lubricant | 70 bar | 1,015 psi |
| MQL | 10 bar | 145 psi |
| Compressed Air | 6 bar | 87 psi |
| Dry run | defined dry run cycles | |
| Max. Flow | Coolant see table | |
| Max. Temperature | 71 °C | 160 °F |

* 1116 series: max. 3,500 rpm for compressed air and hydraulic service



1101-265-644

Radial Connection



| Ordering Number | B Supply Connection B | Flow Coolant l/min | D Overall Length | C Overall Diameter | P Drain Size Ø (6 x 60°) | A Rotor Connection | E Rotor Length | F Thread Length | G Bore Diameter | H Across Flats | I Pilot Diameter | M Pilot Length |
|-----------------|-----------------------|--------------------|------------------|--------------------|--------------------------|--------------------|----------------|-----------------|-----------------|----------------|------------------|----------------|
| 1005-704-434 | 1/8" NPT Radial | 11 | 80 | 34 | 3xRp 1/8" | M10x1 RH | 22 | 11 | 3.4 | 17 | 10.994/10.989 | 5 |
| 1101-265-239 | G 1/4" Radial | 20 | 98 | 43 | 3xRp 1/8" | 5/8-18 UNF RH | 33 | 14.3 | 6.4 | 24 | 0.6555"/0.6553" | 5 |
| 1101-265-343 | G 1/4" Radial | 20 | 95 | 43 | 3xRp 1/8" | M16x1.5 LH | 30 | 11.1 | 6 | 24 | 17.993/17.988 | 5 |
| 1101-265-644 | G 1/4" Radial | 20 | 91 | 43 | 3xRp 1/8" | Flange 35 h8 | 26 | 6.5 | 6 | 4xM4 | 30.01 H6 | 8 |
| 1116-987-463 | G 3/8" Radial | 82 | 102 | 44 | 6x 8.5 | M16x1.5 LH | 30 | 11 | 8.5 | 24 | 17.993/17.998 | 5 |
| 1101-632-343 | PT 3/8" Radial | | 103 | 43 | 3 x PT 1/8" | M16 x 1.5 LH | 30 | 11 | 6 | 24 | 17.993/17.998 | 5 |
| 1116-516-463* | G 3/8" Radial | 82 | 102.4 | 44 | 6x 8.5 closed | M16x1.5 LH | 30 | 11 | 8.5 | 24 | 17.993/17.998 | 5 |
| 1116-063-463* | G 3/8" Axial | 82 | 112 | 44 | 6x 8.5 | M16x1.5 LH | 30 | 11 | 9 | 24 | 17.993/17.998 | 5 |

* Not allowed for operation with hydraulic oil.

美国杜博林 Deublin 旋转接头授权代理

信德迈科技 (北京) 有限公司 Email: sales@cnmec.biz 010-84282935