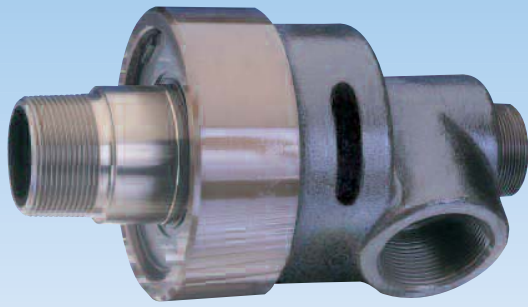


DEUBLIN

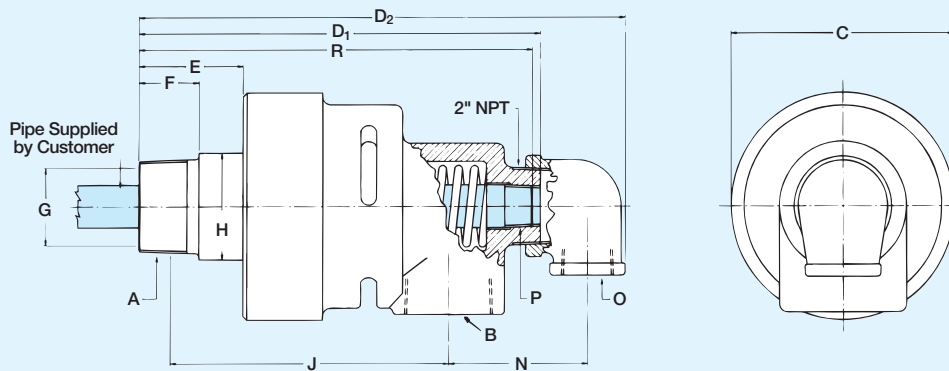
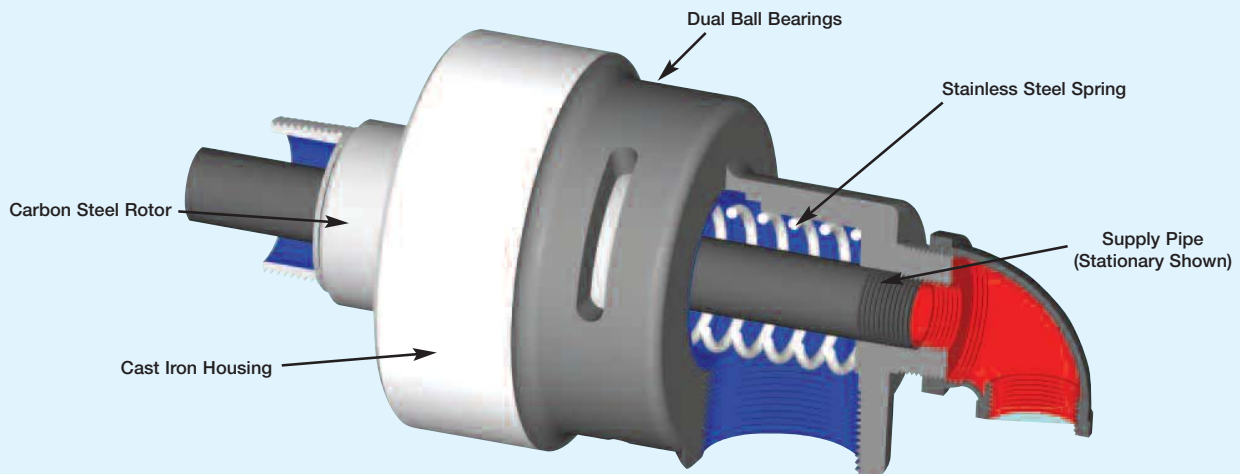
2½" Field Repairable All Purpose Unions

- monoflow and duoflow design
- self-supported rotating union
- radial housing connection
- balanced mechanical seal
- seal combinations:
Carbon Graphite/Ceramic - standard
Tungsten Carbide/Ceramic - E.L.S.
- 3 vent slots
- cast iron housing
- steel rotor
- Lubrication Guide page 55



Operating Data

Maximum Water Pressure	200 PSI	14 bar
Maximum Saturated Steam Pressure (Intermittent)	15 PSI	1 bar
Maximum Speed	750 RPM	750/min
Torque at 120 PSI/8.2 bar	4 ft.lbs.	5.4 Nm
Maximum Temperature	250°F	>250°F consult DEUBLIN



B Port NPT	Ordering Number [®]		A Rotor Thread	C Dia.	D ₁	D ₂	E	F	G Rotor Hole	H Dia.	J Lock- up	N	O NPT	P NPT	R	Shpg. Wt.
	All Purpose	E.L.S.														
2½"	755-700-413-117	755-701-413-117	2½" NPT RH	7"	13½"	15"	3¼"	1⅞"	2⅝"	3⅝"	8⅝"	4⅞"	1¼"	1"	12⅝"	44#
	755-700-415-117	755-701-415-117	2½" NPT LH													
2½"	755-700-330-117	755-701-330-117	G2½" (BSP) RH	178	343	381	82.5	38.1	60.3	83.3	207	108	1¼"	1"	308	20 Kg
	755-700-411-117	755-701-411-117	G2½" (BSP) LH													
2½"	755-702-413-139	755-703-413-139	2½" NPT RH	7"	13½"	15¼"	3¼"	1⅞"	2⅝"	3⅝"	8⅝"	4⅞"	1½"	1⅝"	12⅝"	44#
	755-702-415-139	755-703-415-139	2½" NPT LH													

[®] Monoflow unions can be specified by omitting the -117 or -139 suffix. Flange rotor available upon request. Duoflow rotating pipe models available upon request. For recirculating water service (equal in and out flow) use 1½" supply pipe.