

# DEUBLIN

## Deu-Plex Air Unions

- duoflow design
- self-supported rotating union
- flanged rotor
- radial housing connections
- low torque
- balanced mechanical seals
- seal combination:  
Carbon Graphite/Cast Iron
- full-media flow
- aluminum housing
- cast iron rotor
- oil cup (3-5 drops/month)

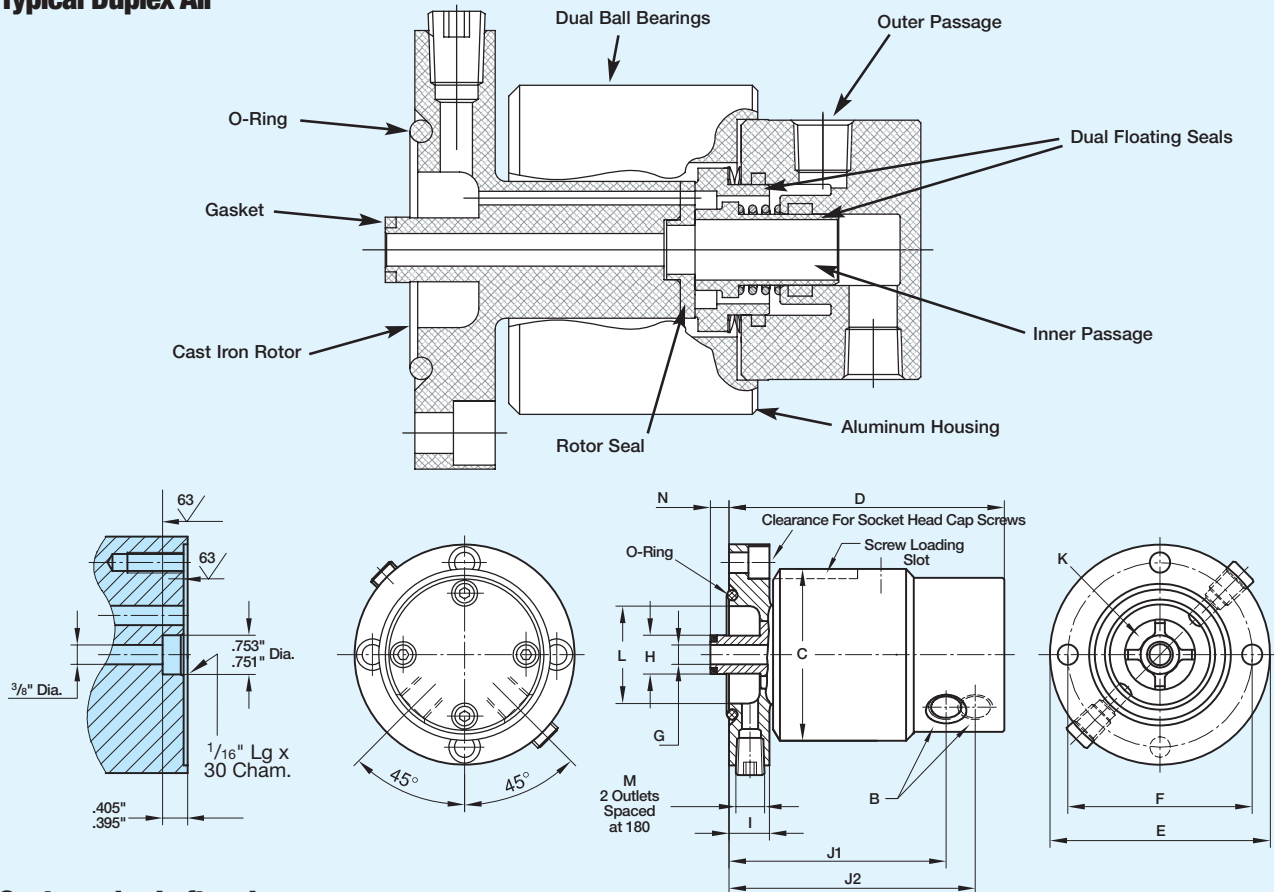


### Operating Data

|                      |           |           |
|----------------------|-----------|-----------|
| Maximum Air Pressure | 150 PSI   | 10 bar    |
| Maximum Vacuum       | 28" Hg    | 6.7 kPa   |
| Maximum Speed        | 1,500 RPM | 1,500/min |
| Maximum Temperature  | 250°F     | 120°C     |

Only one passage should be pressurized at a time.

### Typical Duplex Air



### Customer's shaft end

| B<br>Port<br>NPT | Ordering No. | C       | D      | E<br>Pilot       | F<br>Bolt<br>Circle | G<br>Area            | H              | I    | J1     | J2      | K<br>Area            | L      | M<br>Tap | N     | Screw   | Shpg.<br>Wt. |
|------------------|--------------|---------|--------|------------------|---------------------|----------------------|----------------|------|--------|---------|----------------------|--------|----------|-------|---------|--------------|
|                  | Model        |         |        |                  |                     |                      |                |      |        |         |                      |        |          |       |         |              |
| (2) x 3/8"       | 1500-000     | 3 5/16" | 5 1/4" | 4.250"<br>4.249" | 3 3/16"             | .1105in <sup>2</sup> | .750"<br>.748" | 3/4" | 4 1/8" | 4 1/16" | .2304in <sup>2</sup> | 1 7/8" | 1/4" NPT | 7/16" | 3/8"-16 | 7#           |
|                  | 1500-250     | 84      | 133    | 107.95<br>107.92 | 90.5                | 71mm <sup>2</sup>    | 19.05<br>19.00 | 19   | 105    | 119     | 150mm <sup>2</sup>   | 48     | 1/4" NPT | 11.1  | M10     | 3.2 Kg       |