

# DEUBLIN

## 4 Passage Multi-Purpose, Multi-Media Unions

- 4-passage design
- self-supported rotating union
- flanged rotor
- drain passage prevents interpassage leakage
- special seals
- hardened sealing surface
- brass housing
- stainless steel rotor
- widely spaced ball bearings to withstand side load
- 5-passage available

A drain port is provided to collect leakage under normal operation. A vent is provided between ports 2 and 3 to allow use with two medias eliminating cross contamination.

Example: Air in 1 & 2 and hydraulic oil in 3 & 4.



### Operating Data

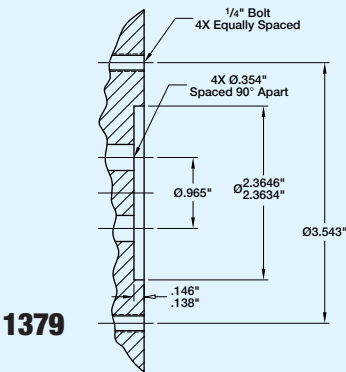
Maximum Air Pressure <sup>Ⓢ</sup>	150 PSI	10 bar
Maximum Hydraulic Pressure <sup>Ⓢ</sup>	850 PSI	60 bar
Maximum Speed	250 RPM	250/min

Maximum Temperature      175°F      >175°F consult **DEUBLIN**

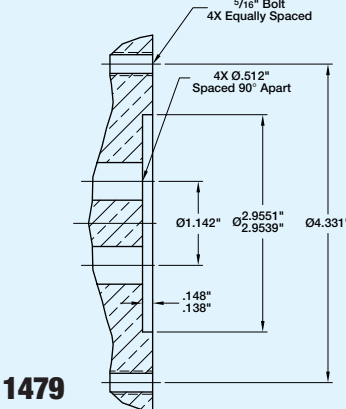
Slow speed or turnable applications not exceeding 10 RPM  
 Maximum Hydraulic Pressure      3,600 PSI      250 bar

<sup>Ⓢ</sup> Operating conditions vary depending on the application and must be adjusted so as not to exceed the maximum union housing temperature rating of 195°F.

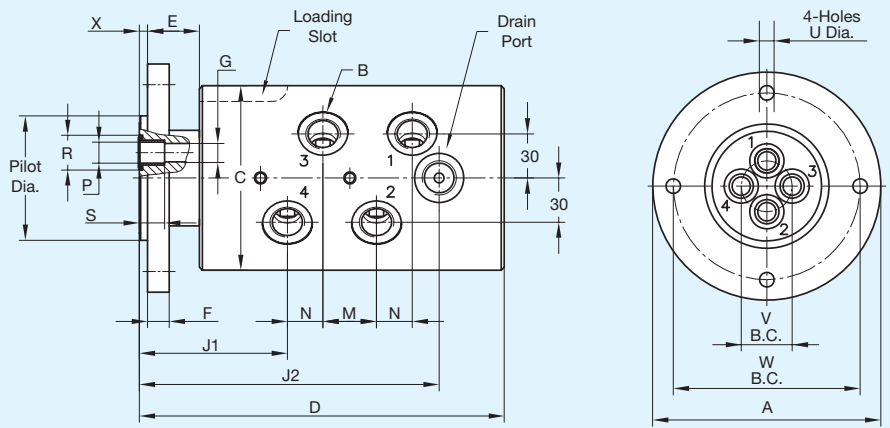
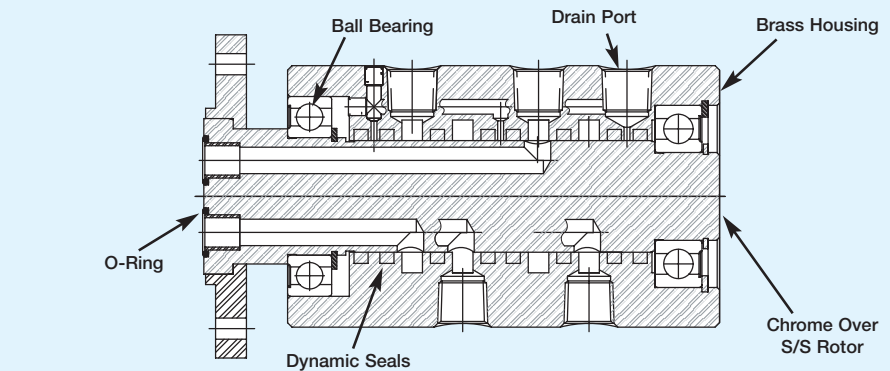
### Customer's Shaft End



1379



1479



B Port	Order No. Model	A Dia.	C Dia.	D	E	F	G Dia.	J1 Lock-up	J2	M	N	P Dia.	R Dia.	S	U Dia.	V B.C. Dia.	W B.C. Dia.	Pilot Dia.	X	Shpg. Wt.
(4) x 3/8" NPT	1379-460	4 21/64"	3 1/2"	6 15/16"	1"	1 3/32"	2 3/64"	2 27/32"	5 19/32"	1 1/32"	2 3/32"	.4744" .4724"	.660" .655"	1/2"	9/32"	3 1/32"	3.543	2.3622" 2.3614"	5/32"	16.7#
(4) x G 3/8" (BSP)	1379-160	110	89	176	25	10.5	9	72	142	26	18	12.05 12.00	16.75 16.65	12	7.2	24.5	90	60.000 59.981	4	7.6 Kg
(4) x 1/2" NPT	1479-400	5 1/8"	4 1/4"	7 31/32"	1"	1 7/32"	1/2"	3 3/16"	6 21/32"	1 7/32"	2 9/32"	.5910" .5905"	.778" .773"	1 9/32"	1 1/32"	1 9/64"	4.331	2.953" 2.952"	5/32"	28#
(4) x G 1/2" (BSP)	1479-100	130	108	202	25	13.5	13	81	169	32	23	15.05 15.00	19.75 19.65	15	9	29	110	75.000 74.981	4	12.7 Kg