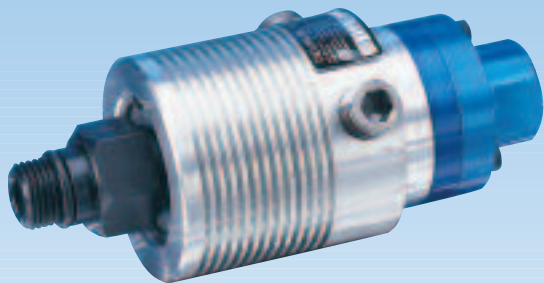


DEUBLIN

1109 Series "Pop-Off" Rotor-Mounted Rotating Unions for Coolant Service with Dry Running

- Single passage for coolant or MQL
- Patented "pop-off" technology allows unlimited dry running without media pressure
- Full-flow design has no obstructions to trap chips or debris
- Bearing-supported with threaded rotor for easy installation
- Dual ABEC 7 (ISO class P4) angular contact ball bearings
- Labyrinth system and large vents to protect ball bearings
- Balanced mechanical seals made from silicon carbide for long life even under difficult operating conditions
- Anodized aluminum housing resists corrosion

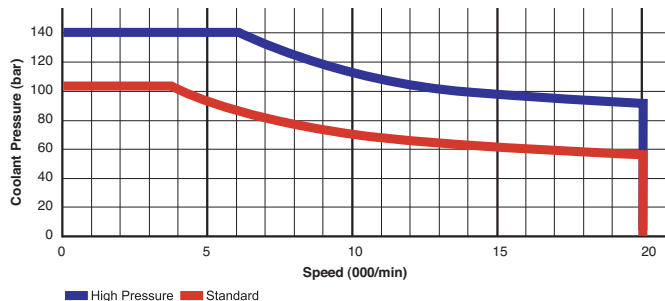


Operating Data

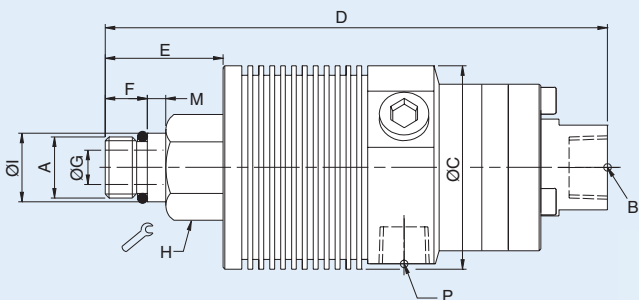
Media	Water-based Coolant MQL (oil mist) up to 10 bar (145 psi)		
Filtration	ISO 4406 Class 17/15/12, max. 60 micron		
Maximum Speed	20,000 min ⁻¹	20,000 rpm	
Maximum Pressure	See chart		
Maximum Flow	82 l/min	21.6 gpm	Standard
	24.3 l/min	6.4 gpm	High Pressure
Maximum Temperature	71°C	160°F	



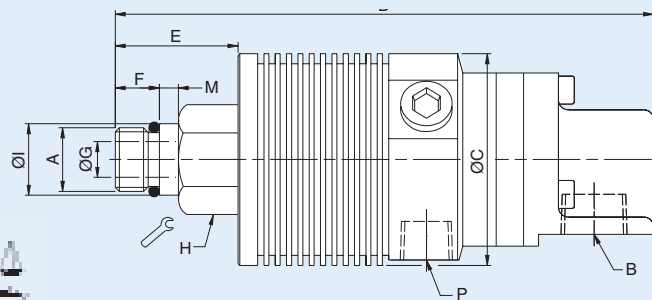
**NO AIR PRESSURE
WITH ROTATION**



Axial Connection



Radial Connection



	Ordering Number	B Supply Connection	C Overall Diameter	D Overall Length	P Vent Size (3 x 120°)	A Rotor Connection	E Rotor Length	F Thread Length	G Bore Diameter	H Across Flats	I Pilot Diameter	M Pilot Length
Standard	1109-011-165	3/8" NPT Axial	53	132	1/4" NPT	5/8"-18 UNF LH	34	14	9	15/16"	0.6555" / 0.6553"	5
	1109-021-188	G 3/8" Axial	53	129	G 1/4"	M16 x 1.5 LH	31	11	9	24	17.993 / 17.988	5
	1109-041-188	3/8" PT Axial	53	129	1/4" PT	M16 x 1.5 LH	31	11	9	24	17.993 / 17.988	5
	1109-010-165	3/8" NPT Radial	53	138	1/4" NPT	5/8"-18 UNF LH	34	14	9	15/16"	0.6555" / 0.6553"	5
	1109-020-188	G 3/8" Radial	53	135	G 1/4"	M16 x 1.5 LH	31	11	9	24	17.993 / 17.988	5
	1109-040-188	3/8" PT Radial	53	135	1/4" PT	M16 x 1.5 LH	31	11	9	24	17.993 / 17.988	5
High Pressure	1109-014-196	1/4" NPT Axial	53	132	1/4" NPT	5/8"-18 UNF LH	34	14	9	15/16"	0.6555" / 0.6553"	5
	1109-024-212	G 3/8" Axial	53	129	G 1/4"	M16 x 1.5 LH	31	11	9	24	17.993 / 17.988	5
	1109-044-212	1/4" PT Axial	53	129	1/4" PT	M16 x 1.5 LH	31	11	9	24	17.993 / 17.988	5
	1109-013-196	1/4" NPT Radial	53	138	1/4" NPT	5/8"-18 UNF LH	34	14	9	15/16"	0.6555" / 0.6553"	5
	1109-023-212	G 1/4" Radial	53	135	G 1/4"	M16 x 1.5 LH	31	11	9	24	17.993 / 17.988	5
	1109-043-212	1/4" PT Radial	53	135	1/4" PT	M16 x 1.5 LH	31	11	9	24	17.993 / 17.988	5