



DEUBLIN

Rotating Union D Series

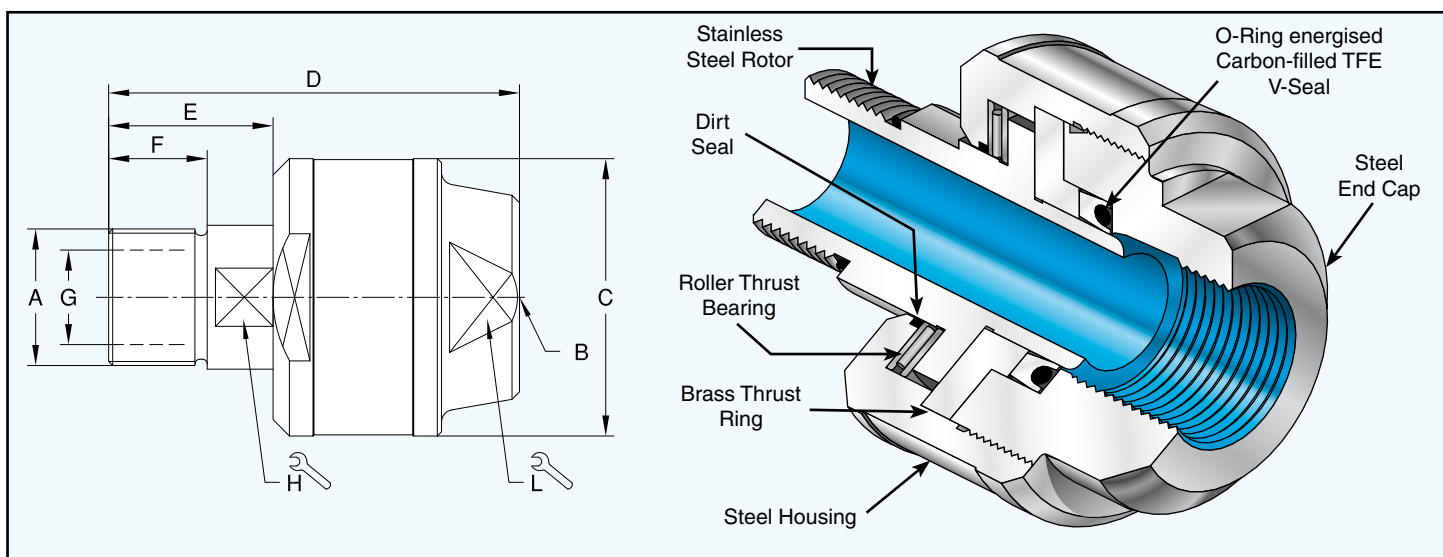
for Water and Hydraulic Oil Service, DN 8 - 40

- monoflow design
- self-supported rotating union
- for hydraulic oil and water
- for swivel applications and high media pressure
e.g. for power steering applications on earth moving equipment or hose reels
- steel housing and end cap
- stainless steel rotor
- can be adapted for other media upon request

Operating Data

Max. Hydraulic/Water Pressure	6,530 PSI	450 bar
Max. Speed	20 RPM	20 min ⁻¹
Max. Temperature	120 °C	> 120 °C consult DEUBLIN

For further information please contact **DEUBLIN** or your local representative.



DN	B	Ordering No.	A Rotor Connections		C ∅	D	E	F	G ∅	H	L	kg
8	G 1/4	D8-003-210	G 1/4	RH	40	68	25	15	7	12	24	0,3
		D8-003-211	G 1/4	LH								
10	G 3/8	D10-003-210	G 3/8	RH	44	70	25	15	10	14	28	0,4
		D10-003-211	G 3/8	LH								
15	G 1/2	D12-003-210	G 1/2	RH	56	82	32	20	12	22	38	0,8
		D12-003-211	G 1/2	LH								
20	G 3/4	D20-003-210	G 3/4	RH	62	90	34	20	18	27	42	1,0
		D20-003-211	G 3/4	LH								
25	G 1	D25-003-210	G 1	RH	68	100	40	24	23	32	48	1,3
		D25-003-211	G 1	LH								
32	G 1 1/4	D32-003-210	G 1 1/4	RH	80	108	43	25	30	42	58	1,9
		D32-003-211	G 1 1/4	LH								
40	G 1 1/2	D40-003-210	G 1 1/2	RH	88	114	44	26	38	46	62	3,0
		D40-003-211	G 1 1/2	LH								