



DEUBLIN

Rotating Unions 57 Series with Silicon Carbide Seals for Water Service, DN 10 - 50 (Patented)

- monoflow and duoflow design
- self-supported rotating union
- radial housing connection
- balanced mechanical seal
- pinned rotor seal
- easy and quick replacement of sealing components (rotor seal, floating seal)
- ball bearings lubricated for life
- for poor water quality
- 3 vent holes
- forged brass housing
- stainless steel rotor
- special options: threaded vent holes, bearings splash proof, nickel-plated versions

Operating Data

Max. Water Pressure		150 PSI	10 bar
Max. Speed, Rotor with Straight Threads:	Model		
	57-257	3,500 RPM	3,500 min ⁻¹
	357	3,000 RPM	3,000 min ⁻¹
	527-557	2,500 RPM	2,500 min ⁻¹
	657	750 RPM	750 min ⁻¹

Max. Temperature 90 °C > 90 °C consult DEUBLIN

For further information please contact **DEUBLIN** or your local representative.

Torque Ratings 57 Series

DN	ft.lbs	Nm
10	0.18	0.25
15	0.37	0.50
20	0.74	1.00
25	1.48	2.00
32	1.62	2.20
40	2.14	2.90
50	3.32	4.50

Seal Combination - Standard

- Carbon Graphite/Silicon Carbide
- long service life

Seal Combination - E.L.S. (Extended Life Sealing)

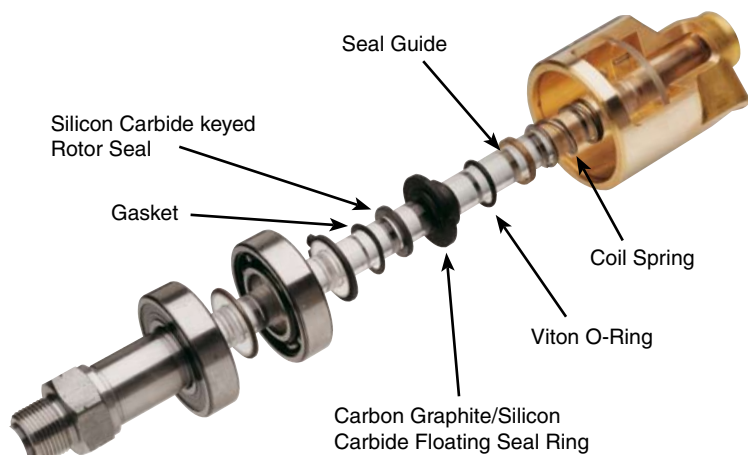
- Silicon Carbide/Silicon Carbide for severe conditions (poor water quality)

Union Repair

The 57 Series is designed for quick, easy replacement of both Floating Seal and the Rotor Seal.

The "57's" seal is seated in a keyed counter bore at the rotor's end. The worn seal simply lifts out and the new one drops right in. Since the entire rotor does not need to be replaced or relapped, the repair is fast, easy and on the spot. As you only replace the seals, the repair cost is very economical.

For Ordering Number of Repair Kit see page 5.



DEUBLIN

Rotating Unions 55 Series for General Purposes, DN 10 - 50



- monoflow and duoflow design
- self-supported rotating union
- radial housing connection
- balanced mechanical seal
- 3 vent holes
- forged brass housing
- stainless steel rotor
- special options:
threaded vent holes,
splash-proof bearings,
nickel-plated
and/or low torque design
- Lubrication Guide page 52

Operating Data

Max. Water Pressure*	Model 55 -555	750 PSI	50 bar
Max. Water Pressure*	Model 655	200 PSI	14 bar
Max. Saturated Steam Pressure (Intermittent)		14 PSI	1 bar
Max. Hot Oil Pressure		100 PSI	6,5 bar
Max. Speed, Rotors with Straight Threads:	Model 55 -255	3,500 RPM	3,500 min ⁻¹
	355	3,000 RPM	3,000 min ⁻¹
	525 -555	2,500 RPM	2,500 min ⁻¹
	655	750 RPM	750 min ⁻¹

Max. Temperature 120 °C > 120 °C consult **DEUBLIN**

* Pressures exceeding 8 bars only permissible with cold water (50°C max.)

For further information please contact **DEUBLIN** or your local representative.

Torque Ratings 55 Series

DN	ft.lbs	Nm
10	0.25	0.34
15	0.35	0.34
20	0.50	0.68
25	1.25	1.80
32	1.25	1.80
40	2.50	3.40
50	3.00	4.07

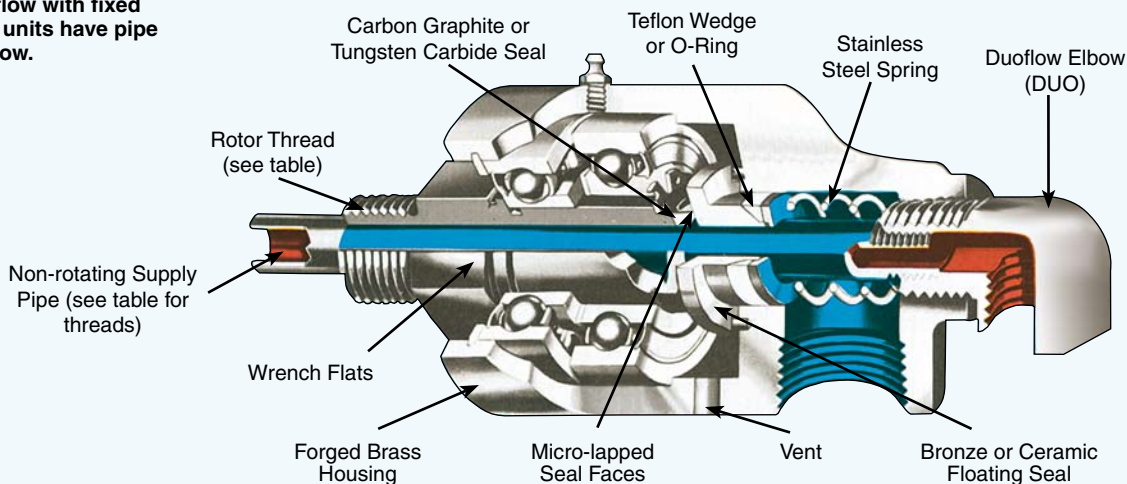
Seal Combinations - Standard

- Carbon Graphite/Bronze for water
optional:
- Carbon Graphite/Ceramic for hot oil, hot water and saturated steam
- multi-purpose applications

Seal Combination - E.L.S. (Extended Life Sealing)

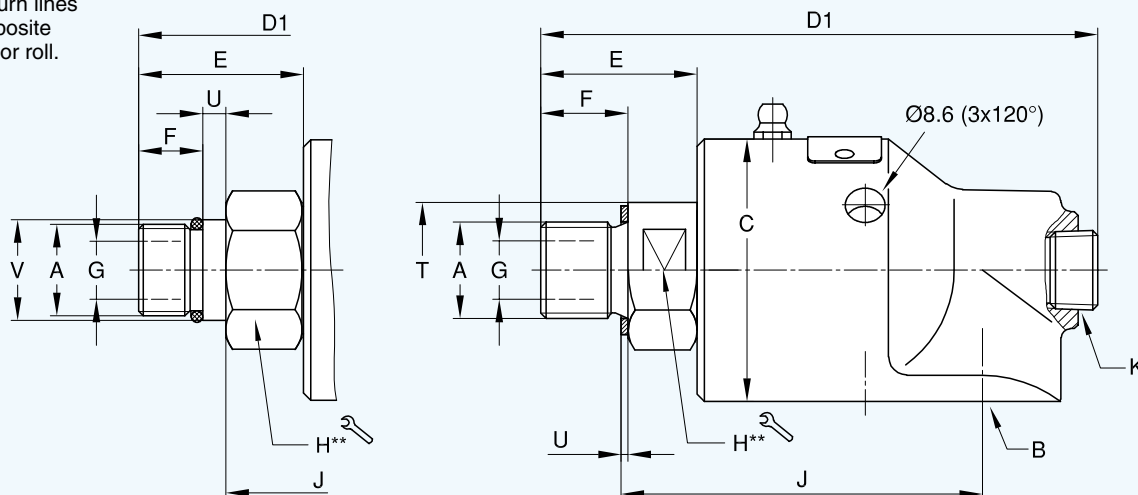
- Tungsten Carbide/Ceramic for severe conditions (poor water quality), max. temperature 90°C

Illustration shows duoflow with fixed supply pipe. Monoflow units have pipe plugs instead of an elbow.



57 and 55 Series - Monoflow Rotating Unions DN 10 - 50

Monoflow unions are used when supply and return lines are connected to opposite sides of the cylinder or roll.



Pilot Type Rotor

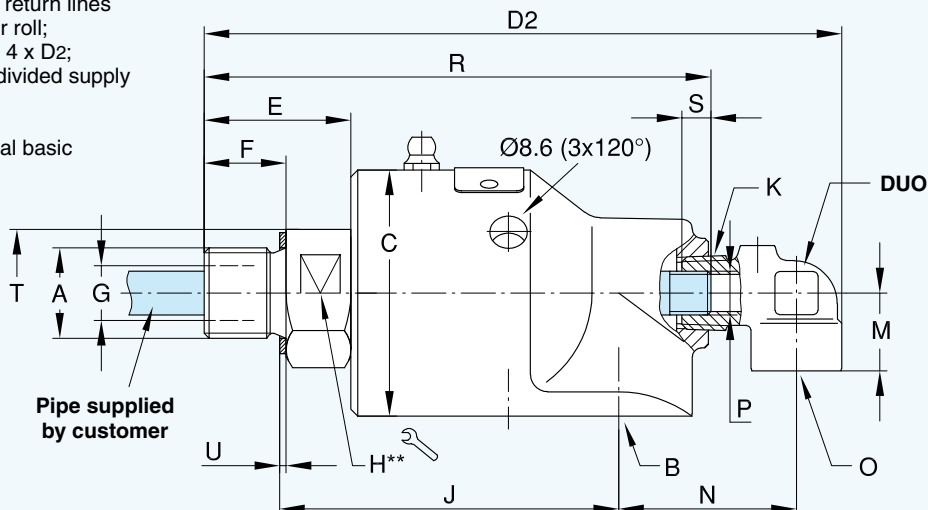
** DN 10 - 20 = hexagon
 DN 25 - 50 = two wrench flats

DN	B	Ordering No. (Basic Models)				A Rotor Connections	C Ø	D1	E	F	G Ø	H	J	K NPT	T	U	V Ø	kg
		Model 57 STD	Model 57 E.L.S.	Model 55 STD	Model 55 E.L.S.													
10	3/8 NPT	57-000-094	57-050-094	55-000-094	55-147-192	G 3/8 RH	45	100	26	16	9,5	22	64	1/4	-	1,5	-	0,6
	3/8 NPT	57-000-095	57-050-095	55-000-095	55-147-193	G 3/8 LH	45	100	26	16	9,5	22	64	1/4	-	1,5	-	0,6
	G 3/8	57-130-094	57-145-094	55-655-094	55-842-192	G 3/8 RH	45	100	26	16	9,5	22	64	1/4	-	1,5	-	0,6
	G 3/8	57-130-095	57-145-095	55-655-095	55-842-193	G 3/8 LH	45	100	26	16	9,5	22	64	1/4	-	1,5	-	0,6
15	1/2 NPT	157-000-151	157-050-151	155-000-151	155-208-252	G 1/2 RH	57	119	35	19	12,7	30	79	3/8	-	1,5	-	1,2
	1/2 NPT	157-000-152	157-050-152	155-000-152	155-208-253	G 1/2 LH	57	119	35	19	12,7	30	79	3/8	-	1,5	-	1,2
	G 1/2	157-130-151	157-145-151	155-122-151	155-754-252	G 1/2 RH	57	119	35	19	12,7	30	79	3/8	-	1,5	-	1,2
	G 1/2	157-130-152	157-145-152	155-122-152	155-754-253	G 1/2 LH	57	119	35	19	12,7	30	79	3/8	-	1,5	-	1,2
	G 1/2	157-130-738	157-145-738	155-122-738	155-754-739	M 20 x 1,5 RH	57	121	37	14	12,7	30	79	3/8	-	5	22g6	1,2
20	G 1/2	157-130-835	157-145-835	155-122-835	155-754-833	M 20 x 1,5 LH	57	121	37	14	12,7	30	79	3/8	-	5	22g6	1,2
	3/4 NPT	257-000-284	257-050-284	255-000-284	255-052-445	G 3/4 RH	73	136	34	19	19	36	95	1/2	-	2	-	2,1
	3/4 NPT	257-000-285	257-050-285	255-000-285	255-052-446	G 3/4 LH	73	136	34	19	19	36	95	1/2	-	2	-	2,1
	G 3/4	257-130-284	257-145-284	255-269-284	255-421-445	G 3/4 RH	73	136	34	19	19	36	95	1/2	-	2	-	2,1
	G 3/4	257-130-285	257-145-285	255-269-285	255-421-446	G 3/4 LH	73	136	34	19	19	36	95	1/2	-	2	-	2,1
	G 3/4	257-130-014	257-145-014	255-269-014	255-421-469	M 35 x 1,5 RH	73	140	38	15	19	41	102	1/2	-	2	-	2,2
	G 3/4	257-130-015	257-145-015	255-269-015	255-421-470	M 35 x 1,5 LH	73	140	38	15	19	41	102	1/2	-	2	-	2,2
	G 3/4	257-130-048	257-145-048	255-269-458	255-421-936	M 27 x 1,5 RH	73	137	35	15	19	36	92	1/2	-	6	28g6	2,1
25	G 3/4	257-130-104	257-145-104	255-269-459	255-421-937	M 27 x 1,5 LH	73	137	35	15	19	36	92	1/2	-	6	28g6	2,1
	1 NPT	357-000-222	357-050-222	355-000-222	355-064-378	G 1 RH	83	163	42	22	25	36	108	3/4	45	2	-	3,1
	1 NPT	357-000-223	357-050-223	355-000-223	355-064-379	G 1 LH	83	163	42	22	25	36	108	3/4	45	2	-	3,1
	G 1	357-130-222	357-145-222	355-204-222	355-215-378	G 1 RH	83	163	42	22	25	36	108	3/4	45	2	-	3,1
	G 1	357-130-223	357-145-223	355-204-223	355-215-379	G 1 LH	83	163	42	22	25	36	108	3/4	45	2	-	3,1
	G 1	357-130-235	357-145-235	355-204-235	355-215-381	M 35 x 1,5 RH	83	157	36	15	25	36	108	3/4	45	2	-	3,1
32	G 1	357-130-236	357-145-236	355-204-236	355-215-382	M 35 x 1,5 LH	83	157	36	15	25	36	108	3/4	45	2	-	3,1
	1 1/4 NPT	527-000-054	527-050-054	525-000-054	525-097-122	G 1 1/4 RH	91	189	54	28	31,8	46	119	1	58	2	-	4,1
	1 1/4 NPT	527-000-055	527-050-055	525-000-055	525-097-123	G 1 1/4 LH	91	189	54	28	31,8	46	119	1	58	2	-	4,1
	G 1 1/4	527-130-054	527-145-054	525-301-054	525-398-122	G 1 1/4 RH	91	189	54	28	31,8	46	119	1	58	2	-	4,1
40	G 1 1/4	527-130-055	527-145-055	525-301-055	525-398-123	G 1 1/4 LH	91	189	54	28	31,8	46	119	1	58	2	-	4,1
	1 1/2 NPT	557-000-198	557-050-198	555-000-198	555-033-288	G 1 1/2 RH	108	228	72	29	38	55	149	1 1/4	65	2	-	6,7
	1 1/2 NPT	557-000-199	557-050-199	555-000-199	555-033-289	G 1 1/2 LH	108	228	72	29	38	55	149	1 1/4	65	2	-	6,7
	G 1 1/2	557-130-198	557-145-198	555-385-198	555-378-288	G 1 1/2 RH	108	228	72	29	38	55	149	1 1/4	65	2	-	6,7
	G 1 1/2	557-130-199	557-145-199	555-385-199	555-378-289	G 1 1/2 LH	108	228	72	29	38	55	149	1 1/4	65	2	-	6,7
50	G 1 1/2	557-130-200	557-145-200	555-385-200	555-378-418	M 50 x 1,5 RH	108	222	66	23	38	55	149	1 1/4	65	2	-	6,5
	G 1 1/2	557-130-201	557-145-201	555-385-201	555-378-419	M 50 x 1,5 LH	108	222	66	23	38	55	149	1 1/4	65	2	-	6,5
	2 NPT	657-000-124	657-050-124	655-500-124	655-502-124	G 2 RH	118	248	65	29	50	60	165	1 1/4	70	2,5	-	7,6
	2 NPT	657-000-125	657-050-125	655-500-125	655-502-125	G 2 LH	118	248	65	29	50	60	165	1 1/4	70	2,5	-	7,6
50	G 2	657-130-124	657-145-124	655-527-124	655-930-124	G 2 RH	118	248	65	29	50	60	165	1 1/4	70	2,5	-	7,6
	G 2	657-130-125	657-145-125	655-527-125	655-930-125	G 2 LH	118	248	65	29	50	60	165	1 1/4	70	2,5	-	7,6

57 and 55 Series - Duoflow Rotating Unions DN 10 - 50 for Threaded Supply Pipe

Duoflow unions are used when supply and return lines are connected to one side of the cylinder or roll; non-supported pipe lengths no longer than 4 x D2; max. speed 1000 RPM; for higher speeds divided supply pipes must be used (refer to page 11/12)

For rotating unions with pilot rotor, additional basic models and weight refer to page 8.



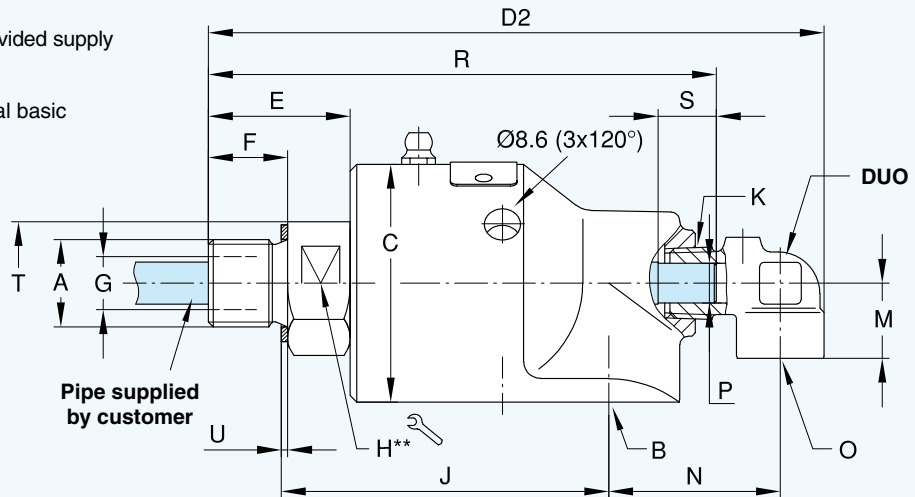
** DN 10 - 20 = hexagon
 DN 25 - 50 = two wrench flats

DN	B	O	Ordering No.		A Rotor Connections	C ø	D2	E	F	G ø	H	J	K NPT	M	N	P Pipe	R	S	T ø	U	
			Model 57 STD	DUO																	
10	3/8 NPT	1/4 NPT	57-000-094	55-120	G 3/8 RH	45	124	26	16	9,5	22	64	1/4	18	36	M 6	99	8	-	1,5	
	3/8 NPT	1/4 NPT	57-000-095	55-120	G 3/8 LH	45	124	26	16	9,5	22	64	1/4	18	36	M 6	99	8	-	1,5	
	G 3/8	G 1/4	57-130-094	55-121	G 3/8 RH	45	124	26	16	9,5	22	64	1/4	18	36	M 6	99	8	-	1,5	
	G 3/8	G 1/4	57-130-095	55-121	G 3/8 LH	45	124	26	16	9,5	22	64	1/4	18	36	M 6	99	8	-	1,5	
15	1/2 NPT	3/8 NPT	157-000-151	155-199	G 1/2 RH	57	147	35	19	12,7	30	79	3/8	18	40	G 1/8	118	8	-	1,5	
	1/2 NPT	3/8 NPT	157-000-152	155-199	G 1/2 LH	57	147	35	19	12,7	30	79	3/8	18	40	G 1/8	118	8	-	1,5	
	G 1/2	G 3/8	157-130-151	155-581	G 1/2 RH	57	147	35	19	12,7	30	79	3/8	18	40	G 1/8	118	8	-	1,5	
	G 1/2	G 3/8	157-130-152	155-581	G 1/2 LH	57	147	35	19	12,7	30	79	3/8	18	40	G 1/8	118	8	-	1,5	
	G 1/2	G 3/8	157-130-738	155-581	M 20 x 1,5	RH	57	149	37	14	12,7	30	79	3/8	18	40	G 1/8	120	8	-	-
	G 1/2	G 3/8	157-130-835	155-581	M 20 x 1,5	LH	57	149	37	14	12,7	30	79	3/8	18	40	G 1/8	120	8	-	-
20	3/4 NPT	1/2 NPT	257-000-284	250-368	G 3/4 RH	73	171	34	19	19	36	95	1/2	26	46	G 1/4	137	12	-	2	
	3/4 NPT	1/2 NPT	257-000-285	250-368	G 3/4 LH	73	171	34	19	19	36	95	1/2	26	46	G 1/4	137	12	-	2	
	G 3/4	G 1/2	257-130-284	251-351	G 3/4 RH	73	171	34	19	19	36	95	1/2	26	46	G 1/4	137	12	-	2	
	G 3/4	G 1/2	257-130-285	251-351	G 3/4 LH	73	171	34	19	19	36	95	1/2	26	46	G 1/4	137	12	-	2	
	G 3/4	G 1/2	257-130-014	251-351	M 35 x 1,5	RH	73	174	38	15	19	41	102	1/2	26	46	G 1/4	141	12	-	2
	G 3/4	G 1/2	257-130-015	251-351	M 35 x 1,5	LH	73	174	38	15	19	41	102	1/2	26	46	G 1/4	141	12	-	2
	G 3/4	G 1/2	257-130-048	251-351	M 27 x 1,5	RH	73	172	35	15	19	36	92	1/2	26	46	G 1/4	137	12	-	-
	G 3/4	G 1/2	257-130-104	251-351	M 27 x 1,5	LH	73	172	35	15	19	36	92	1/2	26	46	G 1/4	137	12	-	-
25	1 NPT	1/2 NPT	357-000-222	350-255	G 1 RH	83	200	42	22	25	36	108	3/4	28	59	G 3/8	161	12	45	2	
	1 NPT	1/2 NPT	357-000-223	350-255	G 1 LH	83	200	42	22	25	36	108	3/4	28	59	G 3/8	161	12	45	2	
	G 1	G 1/2	357-130-222	350-912	G 1 RH	83	200	42	22	25	36	108	3/4	28	59	G 3/8	161	12	45	2	
	G 1	G 1/2	357-130-223	350-912	G 1 LH	83	200	42	22	25	36	108	3/4	28	59	G 3/8	161	12	45	2	
	G 1	G 1/2	357-130-235	350-912	M 35 x 1,5	RH	83	194	36	15	25	36	108	3/4	28	59	G 3/8	155	12	45	2
	G 1	G 1/2	357-130-236	350-912	M 35 x 1,5	LH	83	194	36	15	25	36	108	3/4	28	59	G 3/8	155	12	45	2
32	1 1/4 NPT	3/4 NPT	527-000-054	525-079	G 1 1/4 RH	91	234	54	28	31,8	46	119	1	35	72	G 1/2	186	14	58	2	
	1 1/4 NPT	3/4 NPT	527-000-055	525-079	G 1 1/4 LH	91	234	54	28	31,8	46	119	1	35	72	G 1/2	186	14	58	2	
	G 1 1/4	G 3/4	527-130-054	525-594	G 1 1/4 RH	91	234	54	28	31,8	46	119	1	35	72	G 1/2	186	14	58	2	
	G 1 1/4	G 3/4	557-130-055	525-594	G 1 1/4 LH	91	234	54	28	31,8	46	119	1	35	72	G 1/2	186	14	58	2	
40	1 1/2 NPT	3/4 NPT	557-000-198	450-221	G 1 1/2 RH	108	270	72	29	38	55	149	1 1/4	38	76	G 3/4	223	16	65	2	
	1 1/2 NPT	3/4 NPT	557-000-199	450-221	G 1 1/2 LH	108	270	72	29	38	55	149	1 1/4	38	76	G 3/4	223	16	65	2	
	G 1 1/2	G 3/4	557-130-198	451-171	G 1 1/2 RH	108	270	72	29	38	55	149	1 1/4	38	76	G 3/4	223	16	65	2	
	G 1 1/2	G 3/4	557-130-199	451-171	G 1 1/2 LH	108	270	72	29	38	55	149	1 1/4	38	76	G 3/4	223	16	65	2	
	G 1 1/2	G 3/4	557-130-200	451-171	M 50 x 1,5	RH	108	264	66	23	38	55	149	1 1/4	38	76	G 3/4	216	16	65	2
	G 1 1/2	G 3/4	557-130-201	451-171	M 50 x 1,5	LH	108	264	66	23	38	55	149	1 1/4	38	76	G 3/4	216	16	65	2
50	2 NPT	1 1/4 NPT	657-000-124	451-242	G 2 RH	118	312	65	29	50	60	165	1 1/4	45	96	G 1	252	26	70	2,5	
	2 NPT	1 1/4 NPT	657-000-125	451-242	G 2 LH	118	312	65	29	50	60	165	1 1/4	45	96	G 1	252	26	70	2,5	
	G 2	G 1 1/4	657-130-124	450-534	G 2 RH	118	312	65	29	50	60	165	1 1/4	45	96	G 1	252	26	70	2,5	
	G 2	G 1 1/4	657-130-125	450-534	G 2 LH	118	312	65	29	50	60	165	1 1/4	45	96	G 1	252	26	70	2,5	

57 and 55 Series - Duoflow Rotating Unions DN 10 - 50 for Rotating Supply Pipe

Duoflow unions are used when supply and return lines are connected to one side of the cylinder or roll; max. speed 1000 RPM; for higher speeds divided supply pipes must be used (refer to page 11/12)

For rotating unions with pilot rotor, additional basic models and weight refer to page 8.



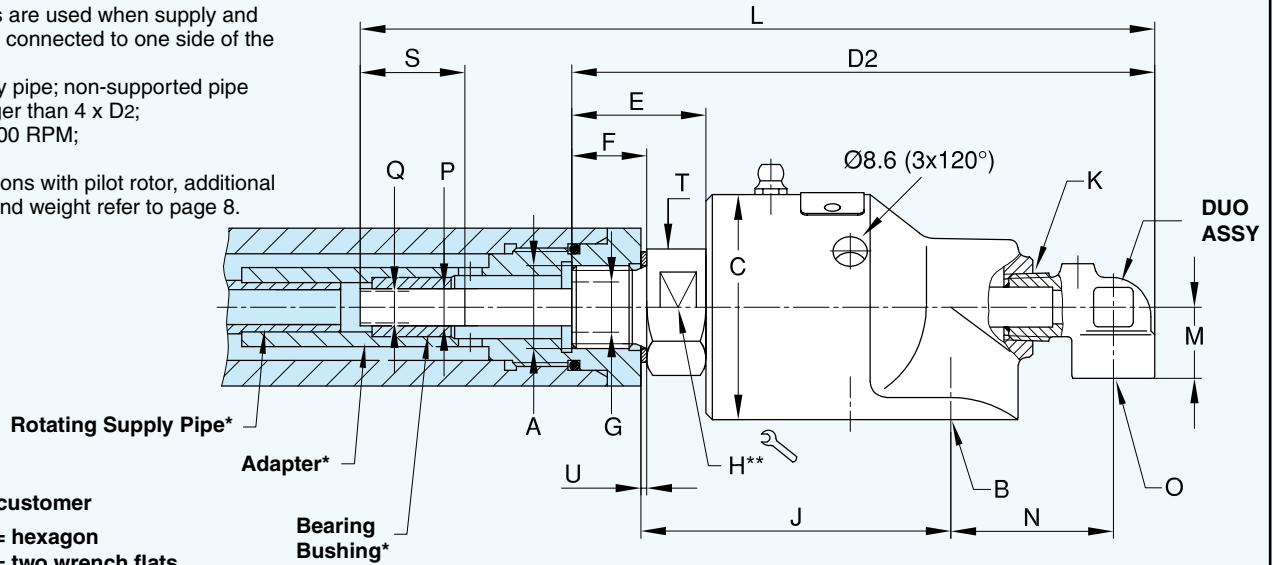
** DN 10 - 20 = hexagon
 DN 25 - 50 = two wrench flats

DN	B	O	Ordering No.		A Rotor Connections	C ø	D2	E	F	G ø	H	J	K NPT	M	N	P Pipe ø d11	R	S	T ø	U
			Model 57 STD	DUO																
10	3/8 NPT	1/4 NPT	57-000-094	55-446	G 3/8 RH	45	124	26	16	9,5	22	64	1/4	18	36	5,8	103	20	-	1,5
	3/8 NPT	1/4 NPT	57-000-095	55-446	G 3/8 LH	45	124	26	16	9,5	22	64	1/4	18	36	5,8	103	20	-	1,5
	G 3/8	G 1/4	57-130-094	55-807	G 3/8 RH	45	124	26	16	9,5	22	64	1/4	18	36	5,8	103	20	-	1,5
	G 3/8	G 1/4	57-130-095	55-807	G 3/8 LH	45	124	26	16	9,5	22	64	1/4	18	36	5,8	103	20	-	1,5
15	1/2 NPT	3/8 NPT	157-000-151	155-471	G 1/2 RH	57	147	35	19	12,7	30	79	3/8	18	40	9,8	124	30	-	1,5
	1/2 NPT	3/8 NPT	157-000-152	155-471	G 1/2 LH	57	147	35	19	12,7	30	79	3/8	18	40	9,8	124	30	-	1,5
	G 1/2	G 3/8	157-130-151	155-709	G 1/2 RH	57	147	35	19	12,7	30	79	3/8	18	40	9,8	124	30	-	1,5
	G 1/2	G 3/8	157-130-152	155-709	G 1/2 LH	57	147	35	19	12,7	30	79	3/8	18	40	9,8	124	30	-	1,5
	G 1/2	G 3/8	157-130-738	155-709	M 20 x 1,5 RH	57	149	37	14	12,7	30	79	3/8	18	40	9,8	124	30	-	-
	G 1/2	G 3/8	157-130-835	155-709	M 20 x 1,5 LH	57	149	37	14	12,7	30	79	3/8	18	40	9,8	124	30	-	-
20	3/4 NPT	1/2 NPT	257-000-284	250-681	G 3/4 RH	73	171	34	19	19	36	95	1/2	26	46	12,8	143	32	-	2
	3/4 NPT	1/2 NPT	257-000-285	250-681	G 3/4 LH	73	171	34	19	19	36	95	1/2	26	46	12,8	143	32	-	2
	G 3/4	G 1/2	257-130-284	251-352	G 3/4 RH	73	171	34	19	19	36	95	1/2	26	46	12,8	143	32	-	2
	G 3/4	G 1/2	257-130-285	251-352	G 3/4 LH	73	171	34	19	19	36	95	1/2	26	46	12,8	143	32	-	2
	G 3/4	G 1/2	257-130-014	251-352	M 35 x 1,5 RH	73	174	38	15	19	41	102	1/2	26	46	12,8	146	32	-	2
	G 3/4	G 1/2	257-130-015	251-352	M 35 x 1,5 LH	73	174	38	15	19	41	102	1/2	26	46	12,8	146	32	-	2
	G 3/4	G 1/2	257-130-048	251-352	M 27 x 1,5 RH	73	172	35	15	19	36	92	1/2	26	46	12,8	143	32	-	-
	G 3/4	G 1/2	257-130-104	251-352	M 27 x 1,5 LH	73	172	35	15	19	36	92	1/2	26	46	12,8	143	32	-	-
25	1 NPT	1/2 NPT	357-000-222	350-347	G 1 RH	83	200	42	22	25	36	108	3/4	28	59	15,8	171	35	45	2
	1 NPT	1/2 NPT	357-000-223	350-347	G 1 LH	83	200	42	22	25	36	108	3/4	28	59	15,8	171	35	45	2
	G 1	G 1/2	357-130-222	350-772	G 1 RH	83	200	42	22	25	36	108	3/4	28	59	15,8	171	35	45	2
	G 1	G 1/2	357-130-223	350-772	G 1 LH	83	200	42	22	25	36	108	3/4	28	59	15,8	171	35	45	2
	G 1	G 1/2	357-130-235	350-772	M 35 x 1,5 RH	83	194	36	15	25	36	108	3/4	28	59	15,8	165	35	45	2
	G 1	G 1/2	357-130-236	350-772	M 35 x 1,5 LH	83	194	36	15	25	36	108	3/4	28	59	15,8	165	35	45	2
32	1 1/4 NPT	3/4 NPT	527-000-054	525-237	G 1 1/4 RH	91	234	54	28	31,8	46	119	1	35	72	21,8	196	40	58	2
	1 1/4 NPT	3/4 NPT	527-000-055	525-237	G 1 1/4 LH	91	234	54	28	31,8	46	119	1	35	72	21,8	196	40	58	2
	G 1 1/4	G 3/4	527-130-054	525-480	G 1 1/4 RH	91	234	54	28	31,8	46	119	1	35	72	21,8	196	40	58	2
	G 1 1/4	G 3/4	527-130-055	525-480	G 1 1/4 LH	91	234	54	28	31,8	46	119	1	35	72	21,8	196	40	58	2
40	1 1/2 NPT	3/4 NPT	557-000-198	450-468	G 1 1/2 RH	108	270	72	29	38	55	149	1 1/4	38	76	25,8	238	44	65	2
	1 1/2 NPT	3/4 NPT	557-000-199	450-468	G 1 1/2 LH	108	270	72	29	38	55	149	1 1/4	38	76	25,8	238	44	65	2
	G 1 1/2	G 3/4	557-130-198	451-173	G 1 1/2 RH	108	270	72	29	38	55	149	1 1/4	38	76	25,8	238	44	65	2
	G 1 1/2	G 3/4	557-130-199	451-173	G 1 1/2 LH	108	270	72	29	38	55	149	1 1/4	38	76	25,8	238	44	65	2
	G 1 1/2	G 3/4	557-130-200	451-173	M 50 x 1,5 RH	108	264	66	23	38	55	149	1 1/4	38	76	25,8	232	44	65	2
	G 1 1/2	G 3/4	557-130-201	451-173	M 50 x 1,5 LH	108	264	66	23	38	55	149	1 1/4	38	76	25,8	232	44	65	2
50	2 NPT	1 1/4 NPT	657-000-124	450-625	G 2 RH	118	312	65	29	50	60	165	1 1/4	45	96	31,8	253	50	70	2,5
	2 NPT	1 1/4 NPT	657-000-125	450-625	G 2 LH	118	312	65	29	50	60	165	1 1/4	45	96	31,8	253	50	70	2,5
	G 2	G 1 1/4	657-130-124	450-612	G 2 RH	118	312	65	29	50	60	165	1 1/4	45	96	32,1	253	50	70	2,5
	G 2	G 1 1/4	657-130-125	450-612	G 2 LH	118	312	65	29	50	60	165	1 1/4	45	96	32,1	253	50	70	2,5

57 and 55 Series - Duoflow Rotating Unions DN 10 - 50 for Divided Supply Pipe

Duoflow unions are used when supply and return lines are connected to one side of the cylinder or roll; soldered supply pipe; non-supported pipe lengths no longer than 4 x D2; max. speed 3500 RPM;

For rotating unions with pilot rotor, additional basic models and weight refer to page 8.



* supplied by customer

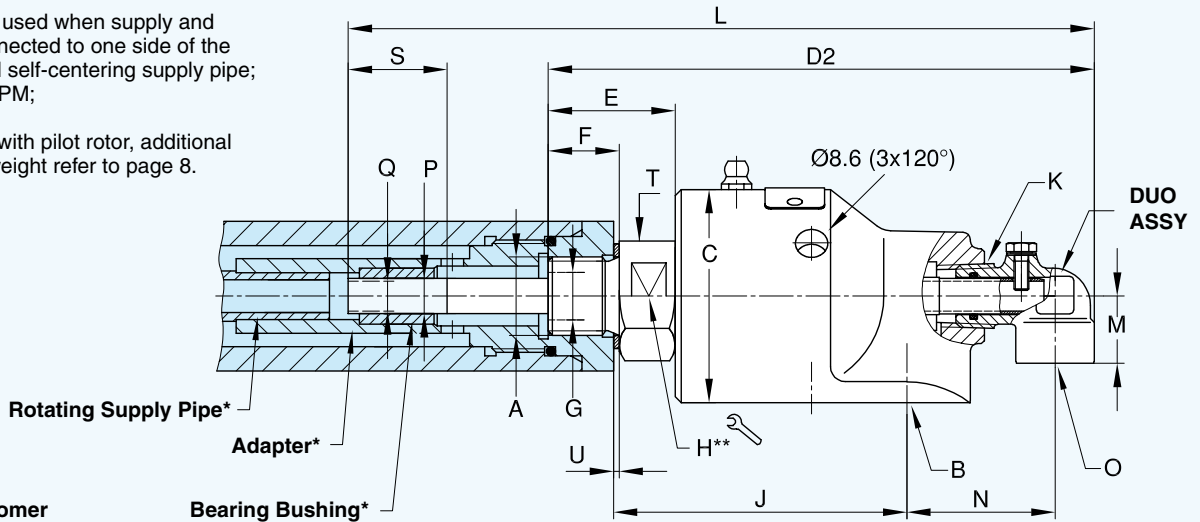
** DN 10 - 20 = hexagon
DN 25 - 50 = two wrench flats

DN	B	O	Ordering No.		A Rotor Connections	C ø	D ₂	E	F	G ø	H ⌀	J	K NPT	L	M	N	P ø H9	Q ø	S	T ø	U
			Model 57 STD	DUO																	
10	3/8 NPT	1/4 NPT	57-000-094	55-445	G 3/8 RH	45	124	26	16	9,5	22	64	1/4	171	18	36	6	5	55	-	1,5
	3/8 NPT	1/4 NPT	57-000-095	55-445	G 3/8 LH	45	124	26	16	9,5	22	64	1/4	171	18	36	6	5	55	-	1,5
	G 3/8	G 1/4	57-130-094	55-843	G 3/8 RH	45	124	26	16	9,5	22	64	1/4	171	18	36	6	5	55	-	1,5
	G 3/8	G 1/4	57-130-095	55-843	G 3/8 LH	45	124	26	16	9,5	22	64	1/4	171	18	36	6	5	55	-	1,5
15	1/2 NPT	3/8 NPT	157-000-151	155-470	G 1/2 RH	57	147	35	19	12,7	30	79	3/8	201	18	40	10	8	60	-	1,5
	1/2 NPT	3/8 NPT	157-000-152	155-470	G 1/2 LH	57	147	35	19	12,7	30	79	3/8	201	18	40	10	8	60	-	1,5
	G 1/2	G 3/8	157-130-151	150-232	G 1/2 RH	57	147	35	19	12,7	30	79	3/8	201	18	40	10	8	60	-	1,5
	G 1/2	G 3/8	157-130-152	150-232	G 1/2 LH	57	147	35	19	12,7	30	79	3/8	201	18	40	10	8	60	-	1,5
	G 1/2	G 3/8	157-130-738	150-232	M 20 x 1,5 RH	57	149	37	14	12,7	30	79	3/8	201	18	40	10	8	60	-	-
20	G 1/2	G 3/8	157-130-835	150-232	M 20 x 1,5 LH	57	149	37	14	12,7	30	79	3/8	201	18	40	10	8	60	-	-
	3/4 NPT	1/2 NPT	257-000-284	250-680	G 3/4 RH	73	171	34	19	19	36	95	1/2	208	26	46	13	11	60	-	2
	3/4 NPT	1/2 NPT	257-000-285	250-680	G 3/4 LH	73	171	34	19	19	36	95	1/2	208	26	46	13	11	60	-	2
	G 3/4	G 1/2	257-130-284	251-551	G 3/4 RH	73	171	34	19	19	36	95	1/2	208	26	46	13	11	60	-	2
	G 3/4	G 1/2	257-130-285	251-551	G 3/4 LH	73	171	34	19	19	36	95	1/2	208	26	46	13	11	60	-	2
	G 3/4	G 1/2	257-130-014	251-551	M 35 x 1,5 RH	73	174	38	15	19	41	102	1/2	208	26	46	13	11	60	-	2
	G 3/4	G 1/2	257-130-015	251-551	M 35 x 1,5 LH	73	174	38	15	19	41	102	1/2	208	26	46	13	11	60	-	2
25	G 3/4	G 1/2	257-130-048	251-551	M 27 x 1,5 RH	73	172	35	15	19	36	92	1/2	208	26	46	13	11	60	-	-
	G 3/4	G 1/2	257-130-104	251-551	M 27 x 1,5 LH	73	172	35	15	19	36	92	1/2	208	26	46	13	11	60	-	-
	1 NPT	1/2 NPT	357-000-222	350-366	G 1 RH	83	200	42	22	25	36	108	3/4	272	28	59	16	14	60	45	2
	1 NPT	1/2 NPT	357-000-223	350-366	G 1 LH	83	200	42	22	25	36	108	3/4	272	28	59	16	14	60	45	2
	G 1	G 1/2	357-130-222	350-990	G 1 RH	83	200	42	22	25	36	108	3/4	272	28	59	16	14	60	45	2
	G 1	G 1/2	357-130-223	350-990	G 1 LH	83	200	42	22	25	36	108	3/4	272	28	59	16	14	60	45	2
32	G 1	G 1/2	357-130-235	350-990	M 35 x 1,5 RH	83	194	36	15	25	36	108	3/4	272	28	59	16	14	60	45	2
	G 1	G 1/2	357-130-236	350-990	M 35 x 1,5 LH	83	194	36	15	25	36	108	3/4	272	28	59	16	14	60	45	2
	1 1/4 NPT	3/4 NPT	527-000-054	525-236	G 1 1/4 RH	91	234	54	28	31,8	46	119	1	285	35	72	22	20	60	58	2
	1 1/4 NPT	3/4 NPT	527-000-055	525-236	G 1 1/4 LH	91	234	54	28	31,8	46	119	1	285	35	72	22	20	60	58	2
40	G 1 1/4	G 3/4	527-130-054	525-931	G 1 1/4 RH	91	234	54	28	31,8	46	119	1	285	35	72	22	20	60	58	2
	G 1 1/4	G 3/4	527-130-055	525-931	G 1 1/4 LH	91	234	54	28	31,8	46	119	1	285	35	72	22	20	60	58	2
	1 1/2 NPT	3/4 NPT	557-000-198	450-467	G 1 1/2 RH	108	270	72	29	38	55	149	1 1/4	319	38	76	26	24	60	65	2
	1 1/2 NPT	3/4 NPT	557-000-199	450-467	G 1 1/2 LH	108	270	72	29	38	55	149	1 1/4	319	38	76	26	24	60	65	2
	G 1 1/2	G 3/4	557-130-198	451-274	G 1 1/2 RH	108	270	72	29	38	55	149	1 1/4	319	38	76	26	24	60	65	2
	G 1 1/2	G 3/4	557-130-199	451-274	G 1 1/2 LH	108	270	72	29	38	55	149	1 1/4	319	38	76	26	24	60	65	2
50	G 1 1/2	G 3/4	557-130-200	451-274	M 50 x 1,5 RH	108	264	66	23	38	55	149	1 1/4	319	38	76	26	24	60	65	2
	G 1 1/2	G 3/4	557-130-201	451-274	M 50 x 1,5 LH	108	264	66	23	38	55	149	1 1/4	319	38	76	26	24	60	65	2
	2 NPT	1 1/4 NPT	657-000-124	655-966	G 2 RH	118	312	65	29	50	60	165	1 1/4	382	45	96	34	31	60	70	2,5
	2 NPT	1 1/4 NPT	657-000-125	655-966	G 2 LH	118	312	65	29	50	60	165	1 1/4	382	45	96	34	31	60	70	2,5
50	G 2	G 1 1/4	657-130-124	655-174	G 2 RH	118	312	65	29	50	60	165	1 1/4	382	45	96	34	31	60	70	2,5
	G 2	G 1 1/4	657-130-125	655-174	G 2 LH	118	312	65	29	50	60	165	1 1/4	382	45	96	34	31	60	70	2,5

57 and 55 Series - Duoflow Rotating Unions DN 10 - 50 for Divided, Self-Centering Supply Pipe

Duoflow unions are used when supply and return lines are connected to one side of the cylinder or roll; fixed self-centering supply pipe; max. speed 3500 RPM;

For rotating unions with pilot rotor, additional basic models and weight refer to page 8.



* supplied by customer

** DN 10 - 20 = hexagon
 DN 25 - 50 = two wrench flats

DN	B	O	Ordering No.		A		C	D ₂	E	F	G	H	J	K	L	M	N	P	Q	S	T	U	
			Model 57 STD	DUO	Rotor Connections	RH																	LH
10	3/8 NPT	1/4 NPT	57-000-094	---	G 3/8	RH																	
	3/8 NPT	1/4 NPT	57-000-095	---	G 3/8	LH																	
	G 3/8	G 1/4	57-130-094	---	G 3/8	RH																	
	G 3/8	G 1/4	57-130-095	---	G 3/8	LH																	
For technical reasons there are no DUO divided, self-centering supply pipes available for this size. Please use divided supply pipe on page 11.																							
15	1/2 NPT	3/8 NPT	157-000-151	155-797	G 1/2	RH	57	147	35	19	12,7	30	79	3/8	201	18	40	10	8	60	-	1,5	
	1/2 NPT	3/8 NPT	157-000-152	155-797	G 1/2	LH	57	147	35	19	12,7	30	79	3/8	201	18	40	10	8	60	-	1,5	
	G 1/2	G 3/8	157-130-151	155-981	G 1/2	RH	57	147	35	19	12,7	30	79	3/8	201	18	40	10	8	60	-	1,5	
	G 1/2	G 3/8	157-130-152	155-981	G 1/2	LH	57	147	35	19	12,7	30	79	3/8	201	18	40	10	8	60	-	1,5	
	G 1/2	G 3/8	157-130-738	155-981	M 20 x 1,5	RH	57	149	37	14	12,7	30	79	3/8	201	18	40	10	8	60	-	-	
	G 1/2	G 3/8	157-130-835	155-981	M 20 x 1,5	LH	57	149	37	14	12,7	30	79	3/8	201	18	40	10	8	60	-	-	
20	3/4 NPT	1/2 NPT	257-000-284	250-994	G 3/4	RH	73	171	34	19	19	36	95	1/2	208	26	46	13	11	60	-	2	
	3/4 NPT	1/2 NPT	257-000-285	250-994	G 3/4	LH	73	171	34	19	19	36	95	1/2	208	26	46	13	11	60	-	2	
	G 3/4	G 1/2	257-130-284	251-371	G 3/4	RH	73	171	34	19	19	36	95	1/2	208	26	46	13	11	60	-	2	
	G 3/4	G 1/2	257-130-285	251-371	G 3/4	LH	73	171	34	19	19	36	95	1/2	208	26	46	13	11	60	-	2	
	G 3/4	G 1/2	257-130-014	251-371	M 35 x 1,5	RH	73	174	38	15	19	41	102	1/2	208	26	46	13	11	60	-	2	
	G 3/4	G 1/2	257-130-015	251-371	M 35 x 1,5	LH	73	174	38	15	19	41	102	1/2	208	26	46	13	11	60	-	2	
	G 3/4	G 1/2	257-130-048	251-371	M 27 x 1,5	RH	73	172	35	15	19	36	92	1/2	208	26	46	13	11	60	-	-	
	G 3/4	G 1/2	257-130-104	251-371	M 27 x 1,5	LH	73	172	35	15	19	36	92	1/2	208	26	46	13	11	60	-	-	
25	1 NPT	1/2 NPT	357-000-222	350-974	G 1	RH	83	200	42	22	25	36	108	3/4	272	28	59	16	14	60	45	2	
	1 NPT	1/2 NPT	357-000-223	350-974	G 1	LH	83	200	42	22	25	36	108	3/4	272	28	59	16	14	60	45	2	
	G 1	G 1/2	357-130-222	351-173	G 1	RH	83	200	42	22	25	36	108	3/4	272	28	59	16	14	60	45	2	
	G 1	G 1/2	357-130-223	351-173	G 1	LH	83	200	42	22	25	36	108	3/4	272	28	59	16	14	60	45	2	
	G 1	G 1/2	357-130-235	351-173	M 35 x 1,5	RH	83	194	36	15	25	36	108	3/4	272	28	59	16	14	60	45	2	
	G 1	G 1/2	357-130-236	351-173	M 35 x 1,5	LH	83	194	36	15	25	36	108	3/4	272	28	59	16	14	60	45	2	
32	1 1/4 NPT	3/4 NPT	527-000-054	525-592	G 1 1/4	RH	91	234	54	28	31,8	46	119	1	285	35	72	22	20	60	58	2	
	1 1/4 NPT	3/4 NPT	527-000-055	525-592	G 1 1/4	LH	91	234	54	28	31,8	46	119	1	285	35	72	22	20	60	58	2	
	G 1 1/4	G 3/4	527-130-054	525-926	G 1 1/4	RH	91	234	54	28	31,8	46	119	1	285	35	72	22	20	60	58	2	
	G 1 1/4	G 3/4	527-130-055	525-926	G 1 1/4	LH	91	234	54	28	31,8	46	119	1	285	35	72	22	20	60	58	2	
40	1 1/2 NPT	3/4 NPT	557-000-198	451-162	G 1 1/2	RH	108	270	72	29	38	55	149	1 1/4	319	38	76	26	24	60	65	2	
	1 1/2 NPT	3/4 NPT	557-000-199	451-162	G 1 1/2	LH	108	270	72	29	38	55	149	1 1/4	319	38	76	26	24	60	65	2	
	G 1 1/2	G 3/4	557-130-198	451-175	G 1 1/2	RH	108	270	72	29	38	55	149	1 1/4	319	38	76	26	24	60	65	2	
	G 1 1/2	G 3/4	557-130-199	451-175	G 1 1/2	LH	108	270	72	29	38	55	149	1 1/4	319	38	76	26	24	60	65	2	
	G 1 1/2	G 3/4	557-130-200	451-175	M 50 x 1,5	RH	108	264	66	23	38	55	149	1 1/4	319	38	76	26	24	60	65	2	
	G 1 1/2	G 3/4	557-130-201	451-175	M 50 x 1,5	LH	108	264	66	23	38	55	149	1 1/4	319	38	76	26	24	60	65	2	
50	2 NPT	1 1/4 NPT	657-000-124	655-968	G 2	RH	118	312	65	29	50	60	165	1 1/4	382	45	96	34	31	60	70	2,5	
	2 NPT	1 1/4 NPT	657-000-125	655-968	G 2	LH	118	312	65	29	50	60	165	1 1/4	382	45	96	34	31	60	70	2,5	
	G 2	G 1 1/4	657-130-124	655-707	G 2	RH	118	312	65	29	50	60	165	1 1/4	382	45	96	34	31	60	70	2,5	
	G 2	G 1 1/4	657-130-125	655-707	G 2	LH	118	312	65	29	50	60	165	1 1/4	382	45	96	34	31	60	70	2,5	