



# DEUBLIN

## Rotating Union 2400 Series for Water Service at Continuous Casting Steel Plants, DN 20 - 40

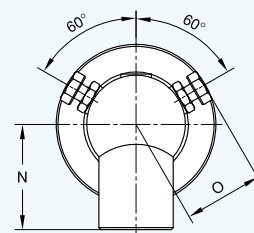
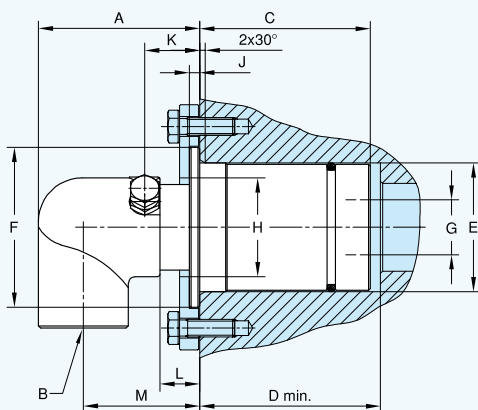
- monoflow and duoflow design
- in-the-shaft mounted rotating union
- flanged housing or mounted with retaining plates
- high-wear resistant balanced mechanical seal Silicon Carbide/Silicon Carbide
- brass housings and elbows
- stainless steel rotors and supply pipes
- for poor water quality
- long composite bearing
- bearing protected by O-ring
- full-media flow

### Operating Data

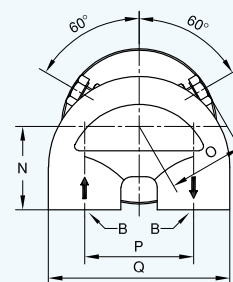
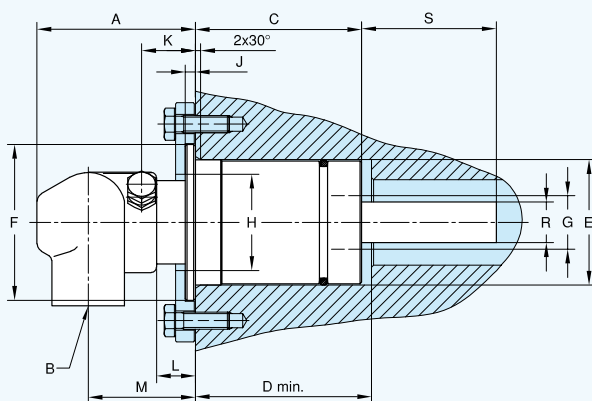
Max. Water Pressure	150 PSI	10 bar
Max. Speed	100 RPM	100 min <sup>-1</sup>
Max. Temperature	120 °C	> 120 °C consult <b>DEUBLIN</b>

For further information please contact **DEUBLIN** or your local representative.

### Monoflow Rotating Union



### Duoflow Rotating Union



DN	Type	B	Ordering No.	A	C	D	E ∅	F ∅	G ∅	H ∅	J	K	L	M	N	O	P	Q	R ∅	S	kg
20	Monoflow	G 3/4	2420-001-139	59	59	60	46,10 46,35	59	17,5	47	4,7	26,5	19,5	42	48	37	-	-	-	-	1,2
25		G 1	2425-001-172	74	78	83	46,10 46,35	73	25	35	4,7	25,5	18,5	53,5	46	36,5	-	-	-	-	1,3
20	Duoflow	G 3/4	2420-001-141-180	75	59	60	46,10 46,35	59	17,5	47	4,7	26	19	51	39	37	51	85	12,941 12,984	49	1,6
25		G 3/4	2425-001-177-180	75	78	83	58,50 58,75	73	25	35	4,7	25,5	18,5	50,5	39	36,5	51	85	18,948 19,000	63	2,4
40		G 1	2440-001-306-254	98	87	94	71,00 71,25	86	38	51	4,7	26	19	68	43	49,5	64	105	28,45 28,70	48,5	4