



DEUBLIN

Rotating Union

DEU-PLEX for Air and Hydraulic Oil Service, DN 15

- duoflow design
- self-supported rotating union
- flange rotor
- radial housing connections
- double-balanced mechanical seal
Carbon Graphite/Ceramic - standard,
Tungsten Carbide/Ceramic - E.L.S. (Extended Life Sealing)
- full-media flow
- aluminium housing
- cast iron rotor
- Lubrication Guide page 52

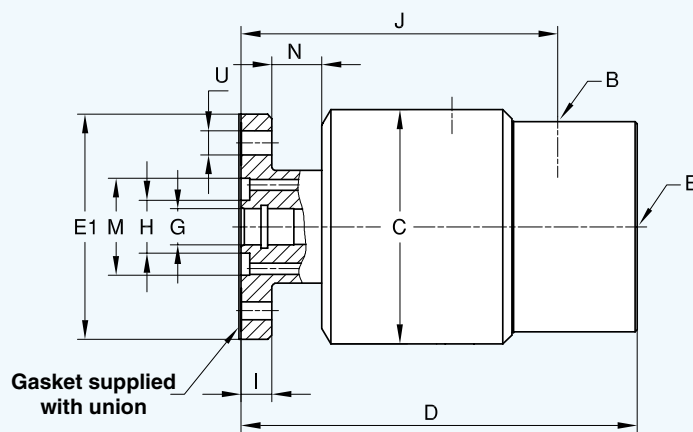
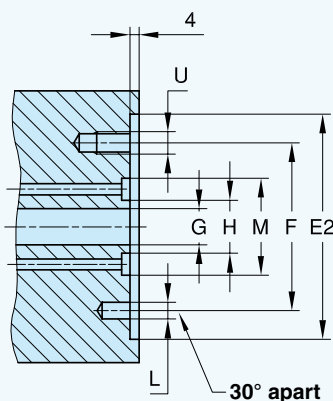
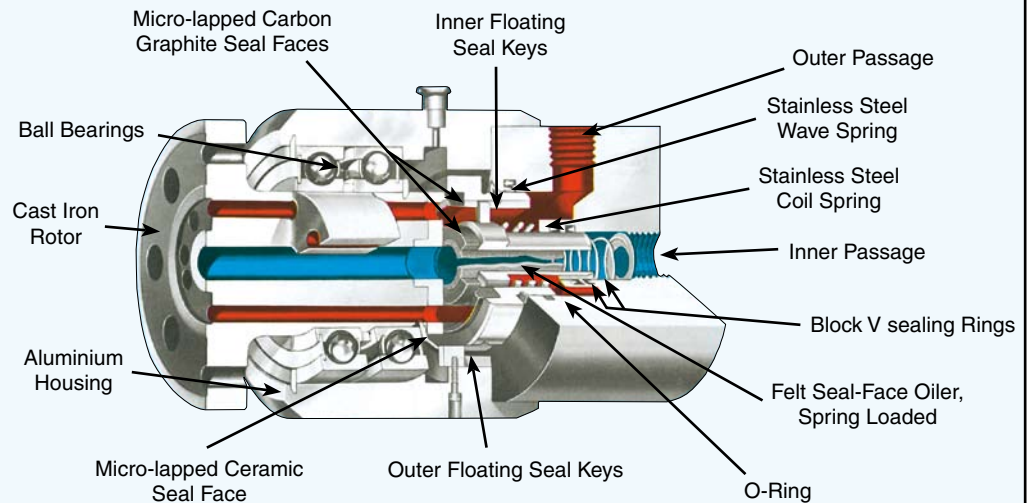
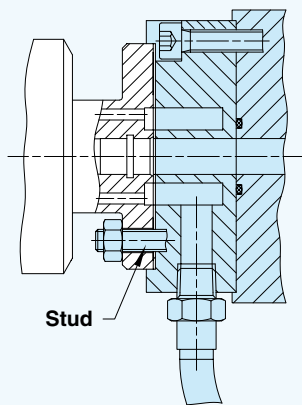
Operating Data

Max. Air Pressure (1590)	150 PSI	10 bar
Max. Hydraulic Pressure* (1579)		
outer passage	510 PSI	35 bar
inner passage	1,020 PSI	70 bar
Max. Speed*	1,500 RPM	1.500 min ⁻¹
Max. Temperature	120 °C	> 120 °C consult DEUBLIN

* Operation at max. pressure combined with max. speed is not permissible
For the higher pressure use inner passage only

For further information please contact **DEUBLIN** or your local representative.

Typical Adapter Mounting Arrangement



Gasket supplied with union

DN	B NPT	Ordering No.	Media	C ∅	D ∅	E1 ∅ PT	E2 ∅	F ∅	G mm ²	H ∅	I ∅	J	K mm ²	L Dowel Pin ∅	M ∅	N ∅	U ∅	kg
2x 15	2 x 1/2	1590-000 STD	Air	84	143	81,000 80,985	81,050 81,020	60,3	126	19	11	114	100	6	35	19	8,7 M8	2,5
	2 x 1/2	1579-000 STD	Hydraulic Oil	84	143	81,000 80,985	81,050 81,020	60,3	126	19	11	114	100	6	35	19	8,7 M8	2,5
	2 x 1/2	1579-074 ELS	Hydraulic Oil	96	142	81,000 80,985	81,050 81,020	60,3	126	19	11	113	100	6	35	12	8,7 M8	3,1