

# DEUBLIN

## 1116 Series "Closed Seal" Rotating Unions for Continuous Coolant Service

- Single passage for coolant or MQL
- Closed seals for transfer line and similar applications
- Full-flow design has no obstructions to trap swarf or debris
- Bearing-supported with threaded rotor for easy installation
- Deep groove radial ball bearings for smooth operation
- Labyrinth system and large vents to protect ball bearings
- Balanced mechanical seals made from silicon carbide for long life even under difficult operating conditions
- Anodised aluminium housing resists corrosion

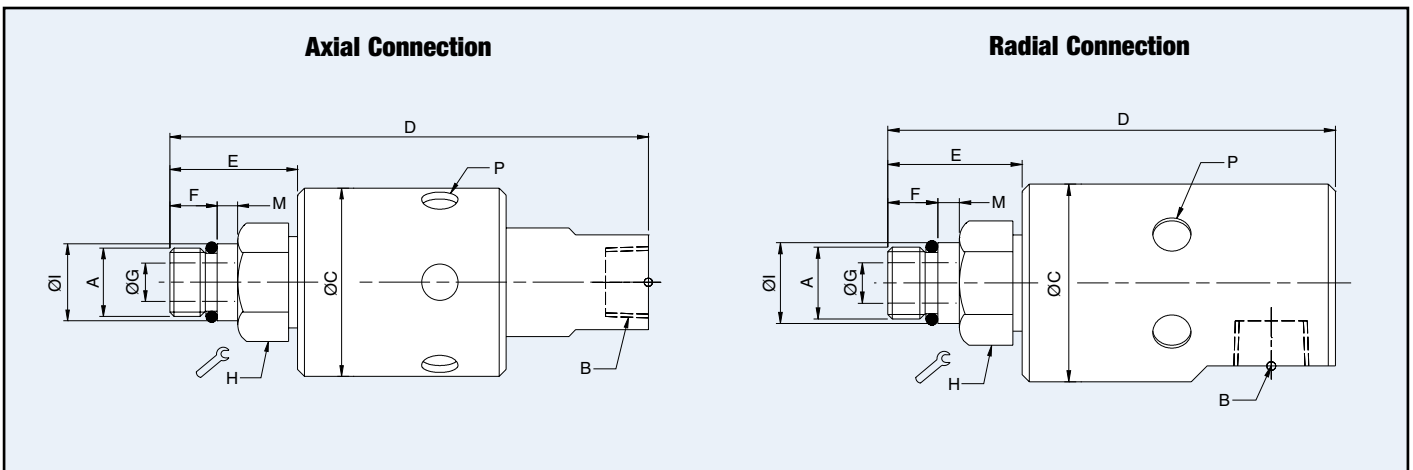
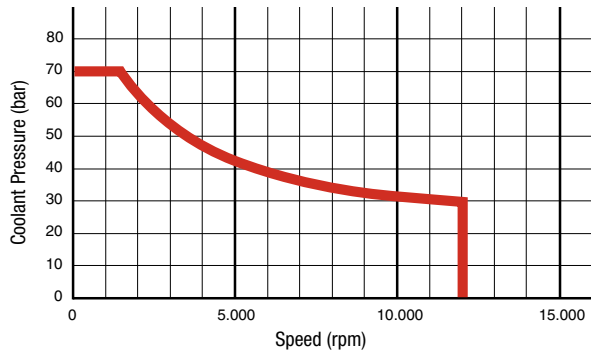


### Operating Data

Media	Water-based Coolant MQL (oil mist) up to 10 bar (145 psi)	
Filtration	ISO 4406 Class 17/15/12, max. 60 micron	
Max. Speed	12.000 min <sup>-1</sup>	12,000 rpm
Max. Pressure	70 bar	1,015 psi
Max. Flow	82 l/min	21.6 gpm
Max. Temperature	70°C	160°F



DO NOT RUN DRY



	Ordering Number	B Supply Connection	C Overall Diameter	D Overall Length	P Vent Size Ø (6 x 60°)	A Rotor Connection	E Rotor Length	F Thread Length	G Bore Diameter	H Across Flats	I Pilot Diameter	M Pilot Length
Axial Connection	1116-048-064	1/4 NPT	44	115	9	5/8-18 UNF RH	33	14	9	15/16"	0.6555" / 0.6550"	5
	1116-048-463	1/4 NPT	44	112	9	M16 x 1.5 LH	30	11	9	24	17.993 / 17.988	5
	1116-485-463	G 1/4	44	112	9	M16 x 1.5 LH	30	11	9	24	17.993 / 17.988	5
	1116-580-343	3/8 PT	44	112	9	M12 x 1.25 LH	30	11	6	24	13.994 / 13.989	5
	1116-600-059	3/8 NPT	44	115	9	5/8-18 UNF LH	33	14	9	15/16"	0.6555" / 0.6550"	5
	1116-600-463	3/8 NPT	44	112	9	M16 x 1.5 LH	30	11	9	24	17.993 / 17.988	5
	1116-610-463	G 3/8	44	112	9	M16 x 1.5 LH	30	11	9	24	17.993 / 17.988	5
Radial Connection	1116-090-059	3/8 NPT	44	106	9	5/8-18 UNF LH	33	14	9	15/16"	0.6555" / 0.6550"	5
	1116-090-064	3/8 NPT	44	106	9	5/8-18 UNF RH	33	14	9	15/16"	0.6555" / 0.6550"	5
	1116-090-463	3/8 NPT	44	103	9	M16 x 1.5 LH	30	11	9	24	17.993 / 17.988	5
	1116-516-463*	G 3/8	44	103	9	M16 x 1.5 LH	30	11	9	24	17.993 / 17.988	5
	1116-555-463*	G 3/8	44	103	9	M16 x 1.5 LH	30	11	9	24	17.993 / 17.988	5

\* With different seal combinations for different applications. For further information please contact DEUBLIN.