



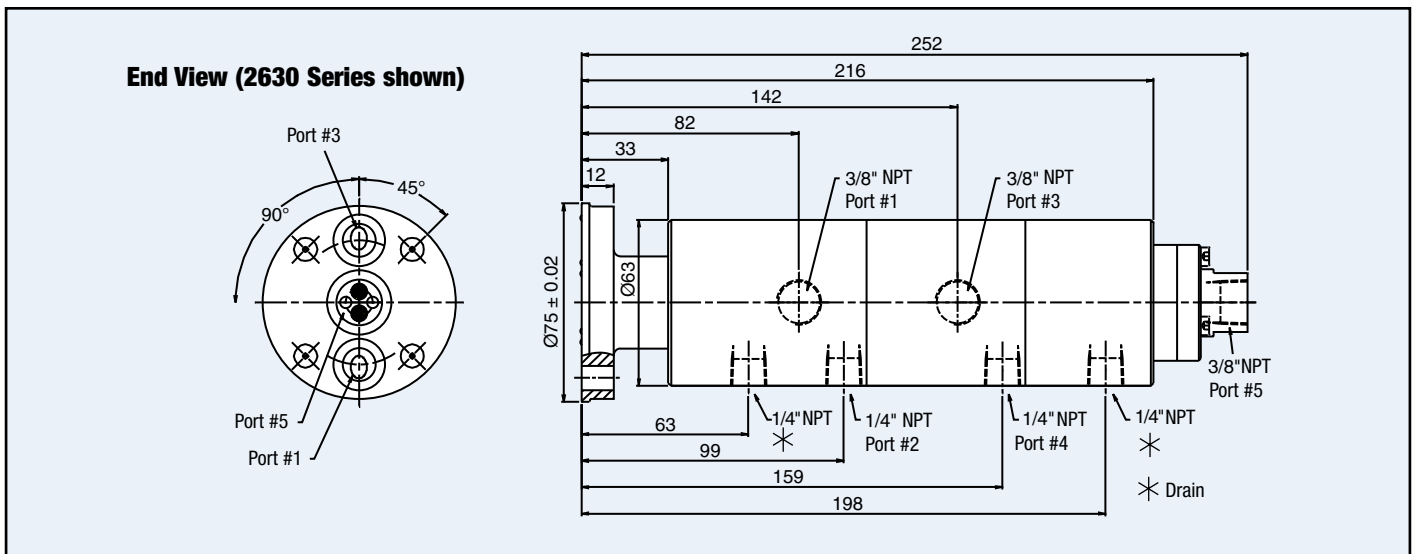
## DEUBLIN

### 2630/2640/2650 Series 3 to 5-Passage Rotating Unions for Various Media

- Three, four or five independent passages for applications such as clamping and unclamping, work piece or tool sensing, and spindle cooling
- Balanced mechanical seals in all passages for low torque and long life even with high speeds and pressures
- Closed seals provide continuous containment of media
- No external lubrication of air seals is required
- Dual precision ball bearings for smooth operation
- Labyrinth protection for ball bearings

#### Operating Data

Media	See table	
Filtration	ISO 4406 Class 17/15/12, max. 60 micron	
Max. Speed	10.000 min <sup>-1</sup>	10,000 rpm
Max. Pressure	Kühlmittel or Oil	140 bar 2,030 psi
	Air	10 bar 145 psi
Max. Flow per passage	Serie 2630	39 l/min 10.2 gpm
	Serie 2640	17 l/min 4.5 gpm
	Serie 2650	17 l/min 4.5 gpm
Max. Temperature	70°C	160°F



Number of Passages	Ordering Number	Port #1	Port #2	Port #3	Port #4	Port #5
3	2630-0xx-xxx	Water	Drain	Oil	Drain	Dry Air <sup>A</sup>
	2630-1xx-xxx	Hydraulic or Cooling Oil	Drain	Hydraulic or Cooling Oil	Drain	Coolant / MQL
	2630-2xx-xxx	–	Air <sup>B</sup>	Coolant	Drain	Oil
	2630-3xx-xxx	–	Air <sup>B</sup>	Coolant	Air <sup>B</sup>	–
	2630-4xx-xxx	–	Air <sup>B</sup>	Coolant	Drain	Dry Air <sup>A</sup>
4	2640-0xx-xxx	Oil	Air <sup>B</sup>	Coolant	Drain	Dry Air <sup>A</sup>
	2640-1xx-xxx	Hydraulic or Cooling Oil	Air <sup>B</sup>	Hydraulic or Cooling Oil	Drain	Coolant
5	2650-0xx-xxx	Hydraulic or Cooling Oil	Air <sup>B</sup>	Hydraulic or Cooling Oil	Air <sup>B</sup>	Coolant

**Note A:** This passage operates with controlled leakage for maximum speed with minimal wear.

**Note B:** This passage operates with closed seals, appropriate for tool or work piece sensing applications.