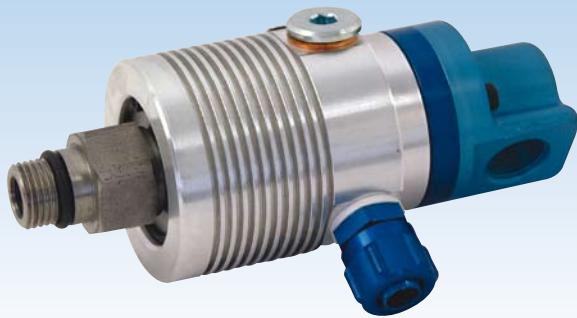


# DEUBLIN

## 1109 Series "Pop-Off" Rotor-Mounted Rotating Unions for Coolant Service with Dry Running

- Single passage for coolant or MQL
- Patented "pop-off" technology allows unlimited dry running without media pressure
- Full-flow design has no obstructions to trap swarf or debris
- Bearing-supported with threaded rotor for easy installation
- Dual ABEC 7 (ISO class P4) angular contact ball bearings
- Labyrinth system and large vents to protect ball bearings
- Balanced mechanical seals made from silicon carbide for long life even under difficult operating conditions
- Aluminium housing, endcap anodised resists corrosion

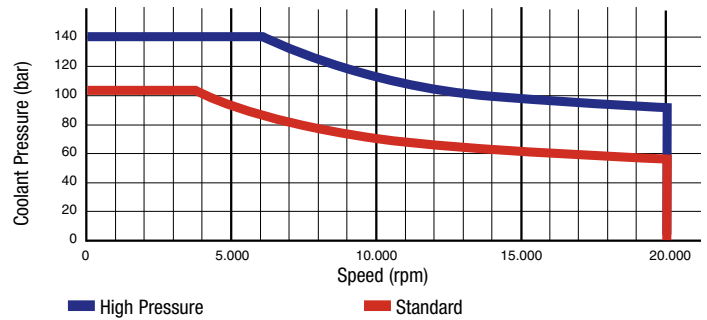


### Operating Data

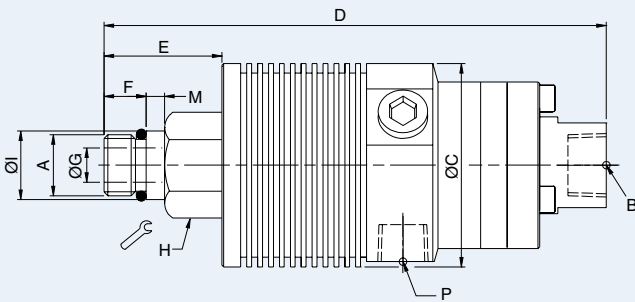
Media	Water-based Coolant MQL (oil mist) up to 10 bar (145 psi)		
Filtration	ISO 4406 Class 17/15/12, max. 60 micron		
Max. Speed	20.000 min <sup>-1</sup> 20,000 rpm		
Max. Pressure	see chart		
Max. Flow	82 l/min	21.6 gpm	Standard
	24,3 l/min	6.4 gpm	High Pressure
Max. Temperature	70°C	160°F	



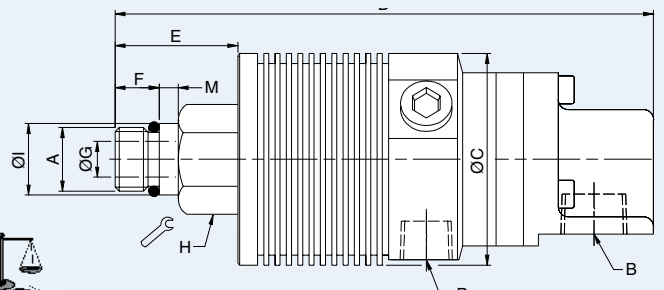
**NO AIR PRESSURE  
WITH ROTATION**



### Axial Connection



### Radial Connection



	Ordering Number	B Supply Connection	C Overall Diameter	D Overall Length	P Vent Size Ø (3 x 120°)	A Rotor Connection	E Rotor Length	F Thread Length	G Bore Diameter	H Across Flats	I Pilot Diameter	M Pilot Length
Standard	1109-011-165	3/8 NPT Axial	53	132	1/4 NPT	5/8-18 UNF LH	34	14	9	15/16"	0.6555" / 0.6553"	5
	1109-021-188	G 3/8 Axial	53	129	G 1/4	M16 x 1.5 LH	31	11	9	24	17.993 / 17.988	5
	1109-041-188	3/8 PT Axial	53	129	1/4 PT	M16 x 1.5 LH	31	11	9	24	17.993 / 17.988	5
	1109-010-165	3/8 NPT Radial	53	138	1/4 NPT	5/8-18 UNF LH	34	14	9	15/16"	0.6555" / 0.6553"	5
	1109-020-188	G 3/8 Radial	53	135	G 1/4	M16 x 1.5 LH	31	11	9	24	17.993 / 17.988	5
	1109-040-188	3/8 PT Radial	53	135	1/4 PT	M16 x 1.5 LH	31	11	9	24	17.993 / 17.988	5
High Pressure	1109-014-196	1/4 NPT Axial	53	132	1/4 NPT	5/8-18 UNF LH	34	14	9	15/16"	0.6555" / 0.6553"	5
	1109-024-212	G 3/8 Axial	53	129	G 1/4	M16 x 1.5 LH	31	11	9	24	17.993 / 17.988	5
	1109-044-212	1/4 PT Axial	53	129	1/4 PT	M16 x 1.5 LH	31	11	9	24	17.993 / 17.988	5
	1109-013-196	1/4 NPT Radial	53	138	1/4 NPT	5/8-18 UNF LH	34	14	9	15/16"	0.6555" / 0.6553"	5
	1109-023-212	G 1/4 Radial	53	135	G 1/4	M16 x 1.5 LH	31	11	9	24	17.993 / 17.988	5
	1109-043-212	1/4 PT Radial	53	135	1/4 PT	M16 x 1.5 LH	31	11	9	24	17.993 / 17.988	5

# DEUBLIN

## 1109 Series “Pop-Off” Bore-Mounted Rotating Unions for Coolant Service with Dry Running

- Single passage for coolant or MQL
- Patented “pop-off” technology allows unlimited dry running without media pressure
- Accepts up to 19 mm of axial drawbar movement
- Full-flow design has no obstructions to trap swarf or debris
- Bore-mounted design for easy installation
- Matched, ISO class P4 hybrid ball bearings for smooth operation at high speeds
- Labyrinth system and large vents to protect ball bearings
- Balanced mechanical seals made from silicon carbide for long life even under difficult operating conditions
- Anodised aluminium and stainless steel parts resist corrosion

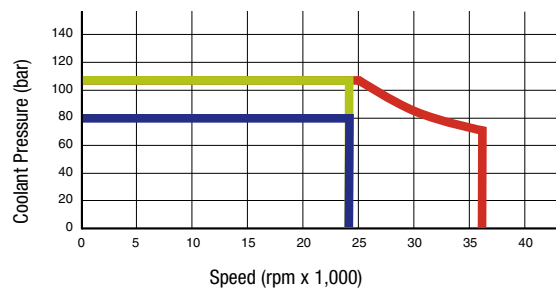


### Operating Data

Media	Water-based Coolant MQL (oil mist) up to 10 bar (145 psi)	
Filtration	ISO 4406 Class 17/15/12, max. 60 micron	
Max. Speed	36.000 min <sup>-1</sup>	36,000 rpm
Max. Pressure	105 bar	1,520 psi
Max. Flow		
1109-710-717	82 l/min	21.6 gpm
1109-92x-930	24,3 l/min	6.4 gpm
Max. Temperature	70°C	160°F

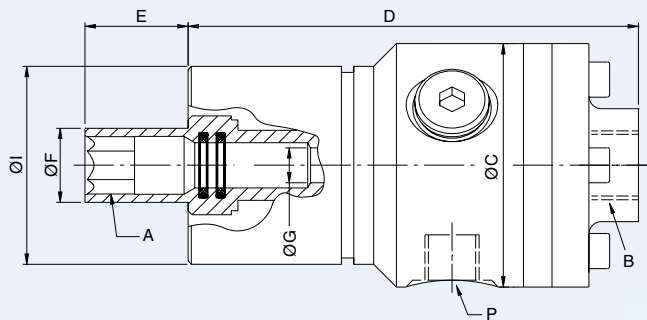


**NO AIR PRESSURE  
WITH ROTATION**

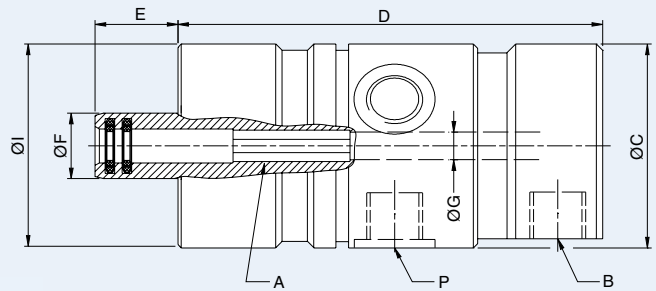


■ 1109-928-930, 1109-929-930   ■ 1109-710-717   ■ 1109-926-930, 1109-927-930

### Axial Connection (1109-710-717 shown)



### Radial Connection



	Ordering Number	B Supply Connection	C Overall Diameter	D Housing Length	P Vent Size Ø (3 x 120°)	A Rotor Connection	E Rotor Length	F Rotor Overall Diameter	G Bore Diameter	I Pilot Diameter	Maximum Speed (rpm)	Max. Pressure (bar)
Axial	1109-710-717	G 3/8	59	109	G 1/4	Hexagon 12 D10	25	18	11 h7	48 g6	24,000	80
	1109-927-930	G 1/4	48	93	G 1/4	Octagon 7.4 D10	19.5	15.4	8.1 f9	48 h7	36,000	105
	1109-929-930	G 1/4	48	93	G 1/4	Octagon 7.4 D10	19.5	15.4	8.1 f9	48 h7	24,000	105
Radial	1109-926-930	G 1/4	48	93	G 1/4	Octagon 7.4 D10	19.5	15.4	8.1 f9	48 h7	36,000	105
	1109-928-930	G 1/4	48	93	G 1/4	Octagon 7.4 D10	19.5	15.4	8.1 f9	48 h7	24,000	105